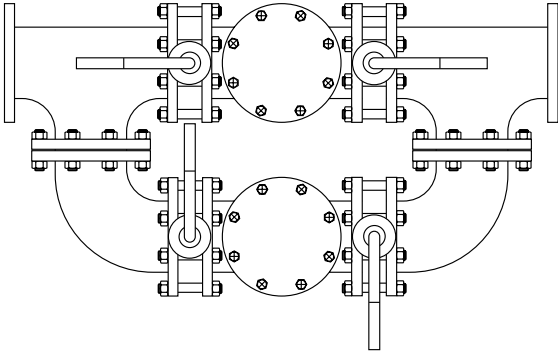


IFC Series DB125 Duplex Strainers



Design Features

- Inlet/outlet connections are FF flanged in accordance with ASME B16.1.
- Four individual operated butterfly valves (IFC series BI125W/L) are used to divert and isolate flow.
- 304 SS perforated screens are standard.
- Cast components.
- Quick opening clamp covers (MAWP 50 psig) are optional.
- Drain connections furnished with plug as standard.
- Inexpensive construction and quick delivery.

Parts List and Standard Materials

Part	Description	Specifications
Basket Strainers x 2	IFC Model B125FIB1 or B125FIC1 Screen (1): Cover Gasket (1):	ASTM A126-B Type 304 SS Graphite
Butterfly Valves x 4	IFC Series BI125W/L Seat: Disc:	ASTM A126-B EPDM or Buna-N 316 SS, Bronze or Ductile Iron.
Flanged Fittings x 4	Cast Iron	ASTM A126-B
Hardware:	Carbon Steel	ASTM A193-B7, A194-2H
Gaskets	Rubber	

- (1) Recommended Spares.
- (2) Consult the IFC "Simplex Basket Strainer" and "Butterfly Valve" brochures for detailed information on these items.

Upper Pressure Limits (Non-Shock)

Size	M.A.W.P.
5" - 12" (125 - 300 mm)	200 psig.

Lower Temperature Limits

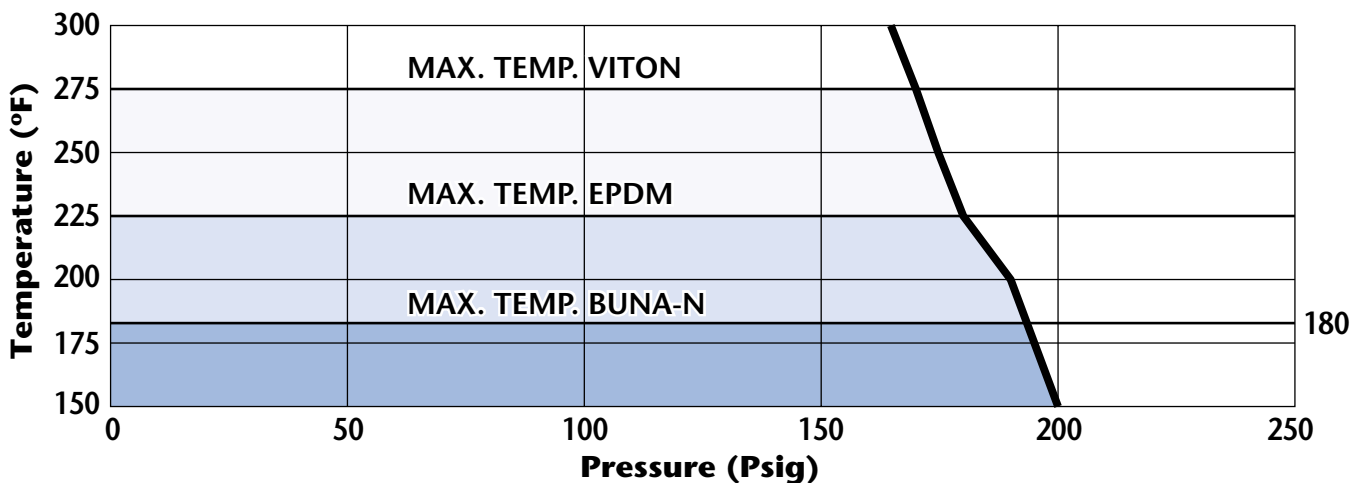
Body Material	Lower Limit °F (°C)
A126-B	-20 (-28.9)

Velocity Limits

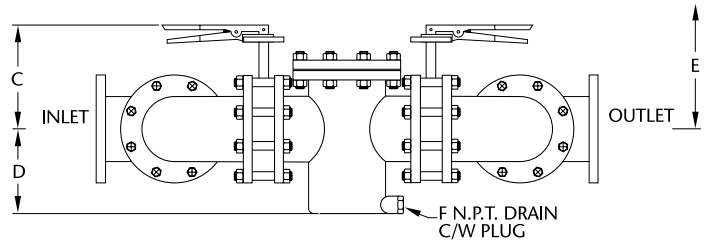
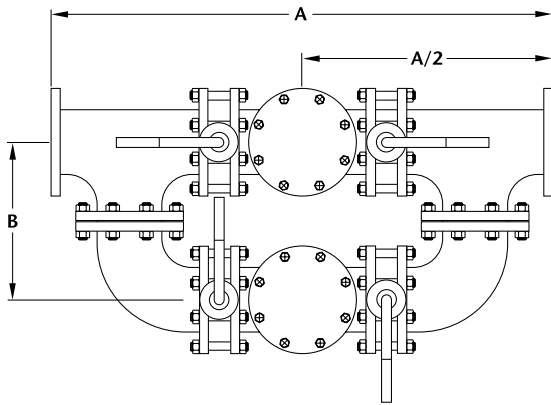
Fluids	30 Ft/s (10 m/s)
Gases	200 Ft/s (65 m/s)

Notes: For greater velocities consult factory.

IFC Series DB125 Pressure Temperature Chart (Using IFC BI125W/L Butterfly Valves)



IFC Series DB125 Duplex Strainers



Standard Screens

Size Range	Opening	Gauge Thickness
5" - 8" (125mm-200mm)	0.125 in. (3.2 mm)	22
10" - 12" (250mm-300mm)	0.125 in. (3.2 mm)	16

Dimensional Data

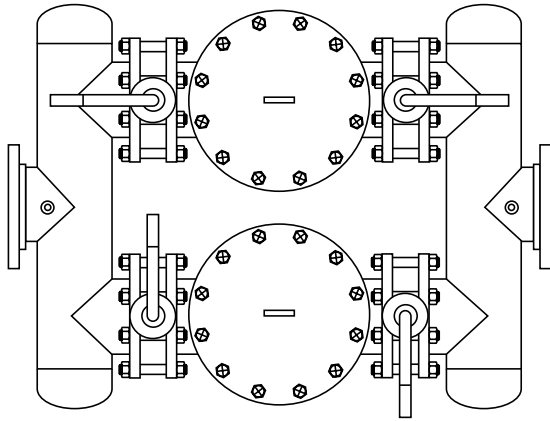
Size in (mm)	A in (mm)	B in (mm)	C in (mm)	D in (mm)	E in (mm)	F NPT in (mm)	Weight Lb. (kg.)	
							Cover	Unit
5	47.38	15.13	6.63	8.00	21.25	1	20	725
125	1203	384	168	203	540	25	9	329
6	51.00	16.13	7.00	8.62	22.62	1	26	800
150	1295	410	178	219	575	25	12	363
8	61.00	18.13	9.25	11.75	30.25	1-1/2	45	1400
200	1549	461	235	298	768	40	20	636
10	69.25	22.13	10.75	13.75	35.25	1-1/2	70	1850
250	1759	562	273	349	895	40	32	840
12	79.25	24.13	13.38	16.38	43.13	2	110	3300
300	2013	613	340	416	1096	50	50	1497

Notes: (1) Strainers may be supplied with 50 psig clamped covers. Please contact factory.
 (2) Vents and differential connections are optional.

General:

- For further optional features see pages 21-22.
- Other perforations and screen materials available. Please see page 24.
- For pressure loss information see page 27.
- For ordering information please see page 38.
- Dimensions shown are subject to change. Contact factory for certified prints when required.

IFC Series DB150 Duplex Strainers



Design Features

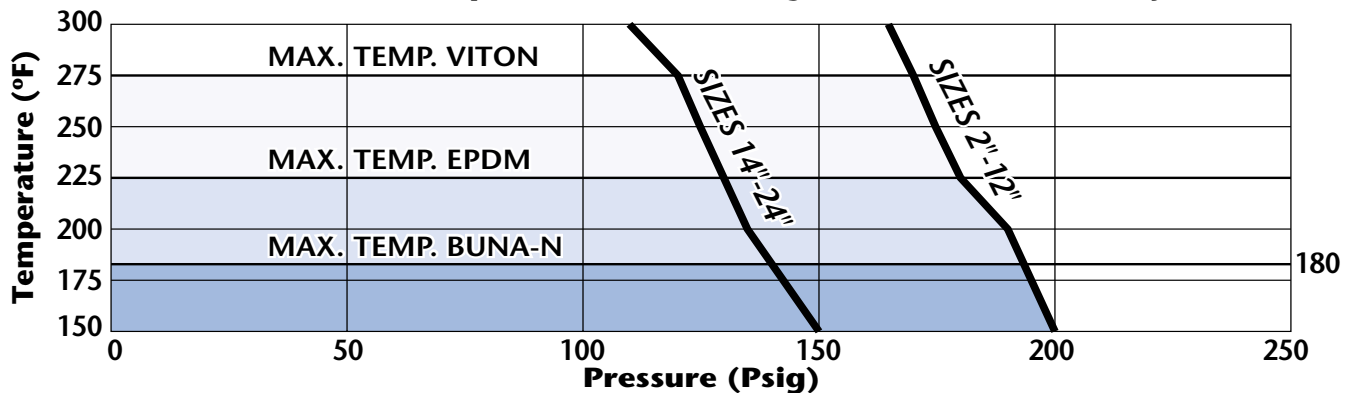
- Standard sizes from 6" - 24".
- Available with RF or RTJ flanged (ASME B16.5) or Buttweld (ASME B16.9) end connections.
- Standard thru bolt cover design.
- Custom modifications are available.
- May be installed in horizontal pipelines.
- All welders qualified to ASME Section IX.
- Strainers designed to meet the requirements of ASME B31.1, ASME B31.3 and/or ASME Section VIII, Div.1.
- Four individual operated butterfly valves (IFC series B1125W/L) are used to divert and isolate flow. Ball, gate and other isolation valve types may be used if requested.
- 304 SS perforated screens are standard.
- Drains and differential connections are standard and are furnished with plug.
- Vents and special covers are optional (See pages 21-22).

Parts List and Standard Materials

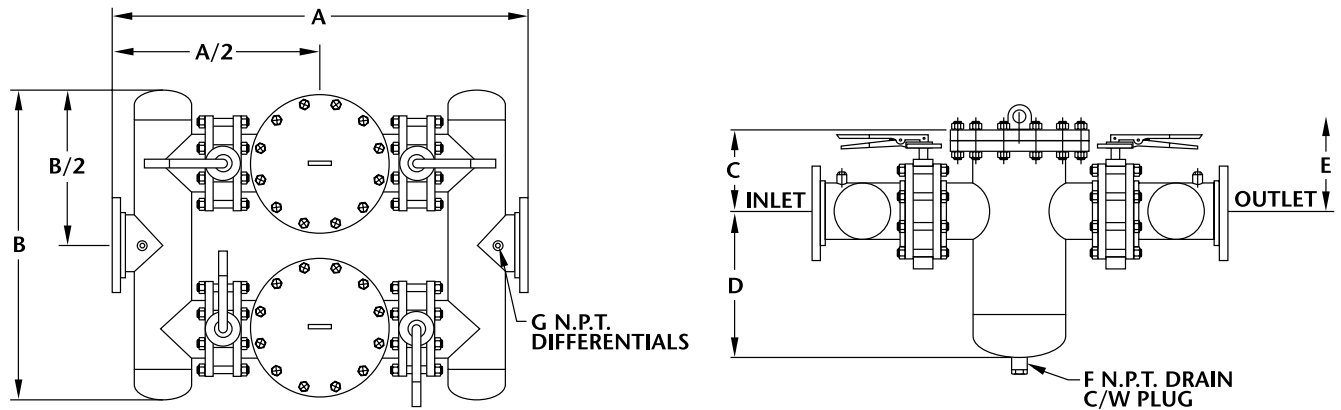
Part	Description	Specifications Carbon Steel	Stainless Steel (1)
Basket Strainers x 2	IFC Series B150 (2) Screen (3): Cover Gasket (3):	Fabricated Carbon Steel Type 304 SS 304 SS Spiral Wound	Fabricated Stainless Steel Type 304 SS 304 SS Spiral Wound
Butterfly Valves x 4	IFC Series B1125W/L (4) Seat: Disc:	ASTM A126-B (5) EPDM or Buna-N 316 SS, Bronze or Ductile Iron.	ASTM A126-B (5) EPDM or Buna-N 316 SS, Bronze or Ductile Iron.
Manifolds x 2	Pipe Flanges Couplings / Threadolets	A53 E/B, A106-B A105 A105	A312 A182 A182
Hardware:	Studs Nuts	A193-B7 A194-2H	A193-B8-1 A194-8
Gaskets		304 SS Spiral Wound	304 SS Spiral Wound

- (1) 304 SS strainers use 304 grade material, 316 SS strainers use 316 grade material, etc.
- (2) See page 13 for detailed information.
- (3) Recommended Spares.
- (4) Consult the IFC "Butterfly Valve" brochure for detailed information.
- (5) Non-wetted.
- (6) For strainers designed to ASME Section VIII, Div. 1 the "A" designation becomes "SA".

IFC Series DB150 Pressure Temperature Chart (Using IFC B1125W/L Butterfly Valves)



IFC Series DB150 - Style 1 Duplex Strainers



Standard Screens

Size Range	Opening	Gauge Thickness
2" - 8" (50mm-200mm)	0.125 in. (3.2 mm)	22
10" - 12" (250mm-300mm)	0.125 in. (3.2 mm)	16
14" - 24" (350mm-600mm)	0.188 in. (4.8 mm)	11

Dimensional Data (Style 1)

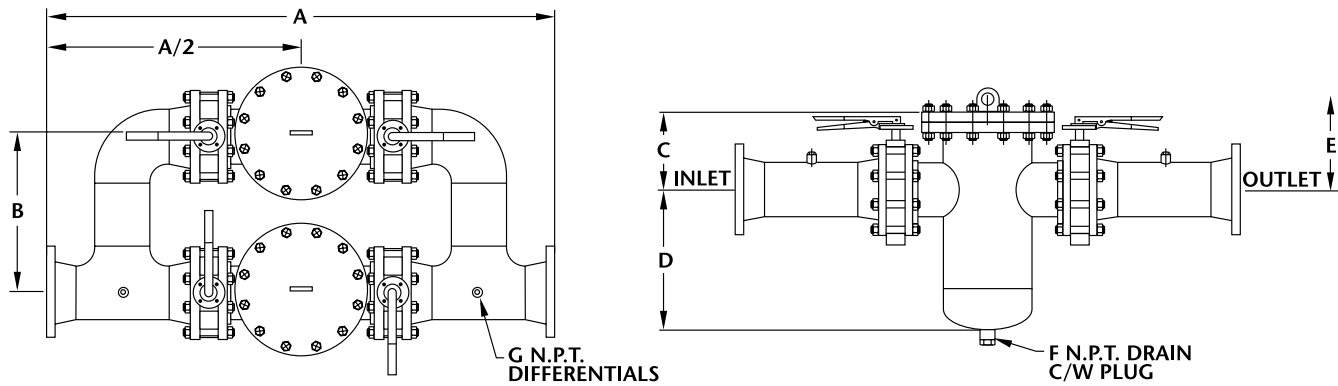
Size (1) in (mm)	A in (mm)	B in (mm)	C in (mm)	D in (mm)	E in (mm)	F NPT in (mm)	G NPT in (mm)	Weight Lb. (kg.)	
								Cover	Unit
2	32.00	20.00	6.00	11.00	25.00	3/4	1/2	26	280
50	813	508	152	279	635	20	15	12	127
3	38.00	24.00	8.00	14.00	29.00	1	1/2	45	300
80	965	610	203	356	737	25	15	20	136
4	38.00	26.00	8.00	14.00	31.00	1	1/2	45	450
100	965	660	203	356	787	25	15	20	204
6	48.00	36.00	10.00	17.00	36.00	1	1/2	70	700
150	1219	914	254	432	914	25	15	32	318
8	57.00	43.00	12.00	21.00	43.00	1	1/2	110	1400
200	1448	1092	305	533	1092	25	15	50	636
10	76.00	55.00	13.00	25.00	58.00	1-1/2	1/2	180	1850
250	1930	1397	330	635	1473	40	15	82	840
12	85.00	57.00	14.00	28.00	62.00	1-1/2	1/2	220	2750
300	2159	1448	356	711	1575	40	15	100	1249
14	92.00	60.00	18.00	33.00	65.00	2	1/2	285	4000
350	2337	1524	457	838	1651	50	15	129	1816
16	104.00	64.00	20.00	36.00	72.00	2	3/4	430	5300
400	2642	1626	508	914	1829	50	20	195	2406
18	116.00	82.00	20.00	40.00	80.00	2	3/4	430	5900
450	2946	2083	508	1016	2032	50	20	195	2679
20	120.00	87.00	24.00	46.00	90.00	2	3/4	965	8000
500	3048	2210	610	1168	2286	50	20	438	3632
24	132.00	94.00	28.00	40.00	110.00	2	3/4	1540	9000
600	3353	2388	711	1016	2794	50	20	699	4086

- Notes:**
- (1) Other sizes available. Consult factory.
 - (2) Dimensions can be modified to suit the customers requirements. Please consult factory.
 - (3) Legs and other supports are available. Please contact factory.
 - (4) Vents are optional.

General:

1. For further optional features see pages 21-22.
2. Other perforations and screen materials available. Please see page 24.
3. For pressure loss information see page 27.
4. For ordering information please see page 38.
5. Dimensions shown are subject to change. Contact factory for certified prints when required.

IFC Series DB150 - Style 2 Duplex Strainers



Standard Screens

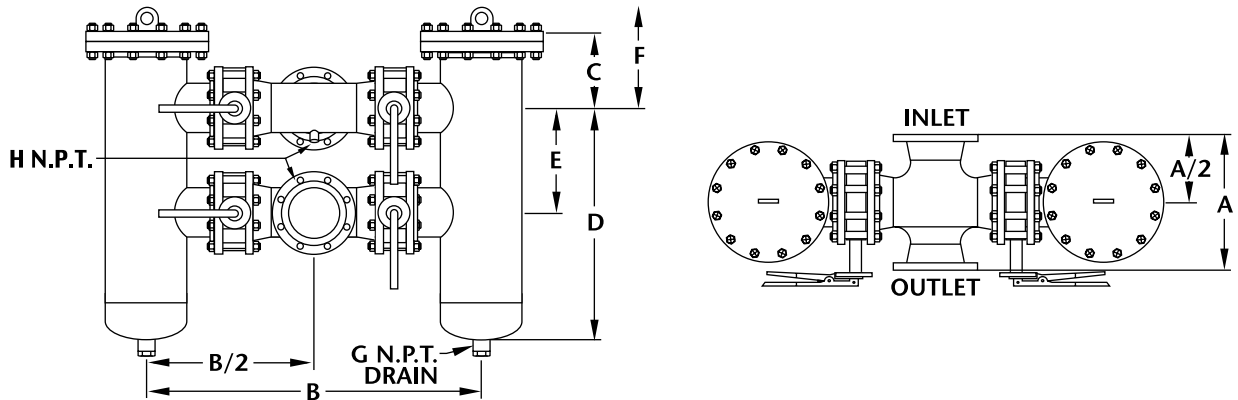
Size Range	Opening	Gauge Thickness
2" - 8" (50mm-200mm)	0.125 in. (3.2 mm)	22
10" - 12" (250mm-300mm)	0.125 in. (3.2 mm)	16
14" - 24" (350mm-600mm)	0.188 in. (4.8 mm)	11

Dimensional Data (Style 2)

Size (1) in (mm)	A in (mm)	B in (mm)	C in (mm)	D in (mm)	E in (mm)	F NPT in (mm)	G NPT in (mm)	Weight Lb. (kg.)	
								Cover	Unit
2	36.00	13.00	6.00	11.00	25.00	3/4	1/2	26	280
50	914	330	152	279	635	20	15	12	127
3	42.00	16.00	8.00	14.00	29.00	1	1/2	45	300
80	1067	406	203	356	737	25	15	20	136
4	49.00	16.00	8.00	14.00	31.00	1	1/2	45	450
100	1245	406	203	356	787	25	15	20	204
6	62.00	18.00	10.00	17.00	36.00	1	1/2	70	700
150	1575	457	254	432	914	25	15	32	318
8	74.00	22.00	12.00	21.00	43.00	1	1/2	110	1400
200	1880	559	305	533	1092	25	15	50	636
10	92.00	28.00	13.00	25.00	58.00	1-1/2	1/2	180	1850
250	2337	711	330	635	1473	40	15	82	840
12	104.00	24.00	14.00	28.00	62.00	1-1/2	1/2	220	2750
300	2642	610	356	711	1575	40	15	100	1249
14	114.00	32.00	18.00	33.00	65.00	2	1/2	285	4000
350	2896	813	457	838	1651	50	15	129	1816
16	126.00	32.00	20.00	36.00	72.00	2	3/4	430	5300
400	3200	813	508	914	1829	50	20	195	2406
18	140.00	40.00	20.00	40.00	80.00	2	3/4	430	5900
450	3556	1016	508	1016	2032	50	20	195	2679
20	156.00	40.00	24.00	46.00	90.00	2	3/4	965	8000
500	3962	1016	610	1168	2286	50	20	438	3632
24	182.00	48.00	28.00	40.00	110.00	2	3/4	1540	9000
600	4623	1219	711	1016	2794	50	20	699	4086

- Notes:**
- (1) Other sizes available. Consult factory.
 - (2) Dimensions can be modified to suit the customers requirements. Please consult factory.
 - (3) Legs and other supports are available. Please contact factory.
 - (4) Vents are optional.

IFC Series DB150 - Style 3 Duplex Strainers



Standard Screens

Size Range	Opening	Gauge Thickness
2" - 8" (50mm-200mm)	0.125 in. (3.2 mm)	22
10" - 12" (250mm-300mm)	0.125 in. (3.2 mm)	16
14" - 24" (350mm-600mm)	0.188 in. (4.8 mm)	11

Dimensional Data (Style 3)

Size (1) in (mm)	A in (mm)	B in (mm)	C in (mm)	D in (mm)	E in (mm)	F in (mm)	G NPT in (mm)	H NPT in (mm)	Weight Lb. (kg.)	
									Cover	Unit
2	10.00	26.00	6.00	20.00	14.00	32.00	3/4	1/2	26	280
50	254	660	152	508	356	813	20	15	12	127
3	12.25	30.00	8.00	22.50	14.50	38.50	1	1/2	45	300
80	311	762	203	572	368	978	25	15	20	136
4	14.25	36.00	8.00	25.50	17.50	41.50	1	1/2	45	450
100	362	914	203	648	445	1054	25	15	20	204
6	18.25	44.00	10.00	31.00	21.00	51.00	1	1/2	70	700
150	464	1118	254	787	533	1295	25	15	32	318
8	22.00	50.00	12.00	35.00	23.00	59.00	1	1/2	110	1400
200	559	1270	305	889	584	1499	25	15	50	636
10	25.00	64.00	13.00	39.00	28.00	65.00	1-1/2	1/2	180	1850
250	635	1626	330	991	660	1651	40	15	82	840
12	29.00	72.00	14.00	48.00	30.00	72.00	1-1/2	1/2	220	2750
300	737	1829	356	1219	762	1829	40	15	100	1249
14	32.00	76.00	18.00	50.00	32.00	86.00	2	1/2	285	4000
350	813	1930	457	1270	813	2184	50	15	129	1816
16	34.00	84.00	20.00	54.00	34.00	94.00	2	3/4	430	5300
400	864	2134	508	1372	864	2388	50	20	195	2406
18	38.00	94.00	20.00	56.00	36.00	96.00	2	3/4	430	5900
450	965	2388	508	1422	914	2438	50	20	195	2679
20	41.38	104.00	24.00	64.00	40.00	112.00	2	3/4	965	8000
500	1051	2642	610	1626	1016	2845	50	20	438	3632
24	46.00	122.00	28.00	76.00	48.00	132.00	2	3/4	1540	9000
600	1168	3099	711	1930	1219	3353	50	20	699	4086

- Notes:** (1) Other sizes available. Consult factory.
 (2) Dimensions can be modified to suit the customers requirements. Please consult factory.
 (3) Legs and other supports are available. Please contact factory.
 (4) Vents are optional.

General:

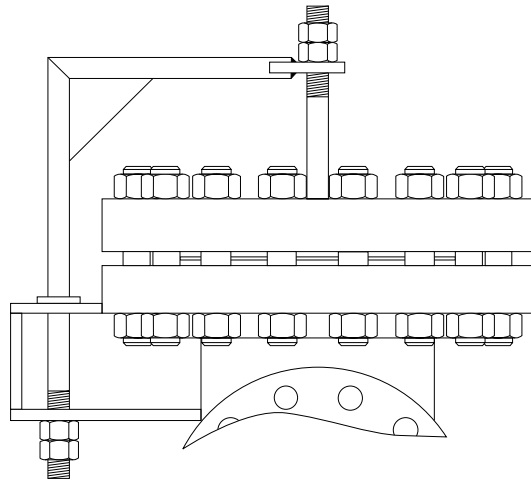
- For further optional features see pages 21-22.
- Other perforations and screen materials available. Please see page 24.
- For pressure loss information see page 27.
- For ordering information please see page 38.
- Dimensions shown are subject to change. Contact factory for certified prints when required.

Quick Opening Covers and Cover Removal Aids

The quick release covers and cover removal aids available on IFC fabricated strainers are distinguished by their compact size and functional design. Materials of construction are in accordance with ASME specifications and manufacturing complies with the applicable rules of the ASME Code for Pressure Piping and with the ASME Boiler and Pressure Vessel Code.

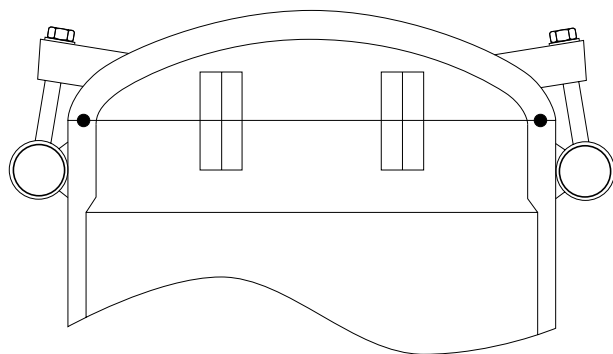
Cover Type BD - Davit Assembly

The Davit assembly is used to enable the user to swing the cover away from the strainer in order to facilitate basket or screen removal for cleaning. It's primary use is for larger sized strainers where cover removal is difficult. The davit assembly is an inexpensive alternative to quick release covers, especially when operating conditions require a bolted cover to be utilized.



Cover Type H - T-Bolt Hinged Cover

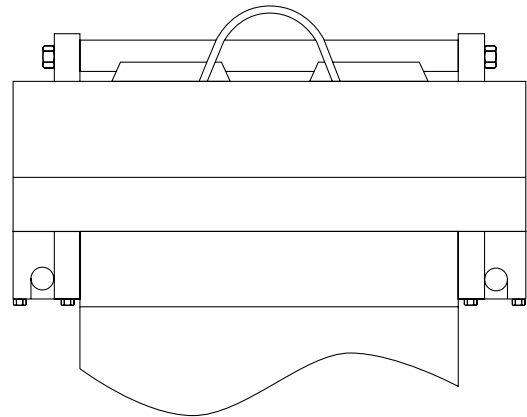
The T-bolt hinged cover is used for nominal pressure applications while being the most inexpensive closure available on IFC fabricated strainers. The T-bolt hinged cover is opened quickly and easily using an O-Ring as a seal. The operator merely loosens the T-bolts until they clear the holding lugs and allow the head to be swung open on it's hinge. Camlock and Break-over Wrench assemblies are also available that eliminate the need for a wrench.



Quick Opening Covers and Cover Removal Aids

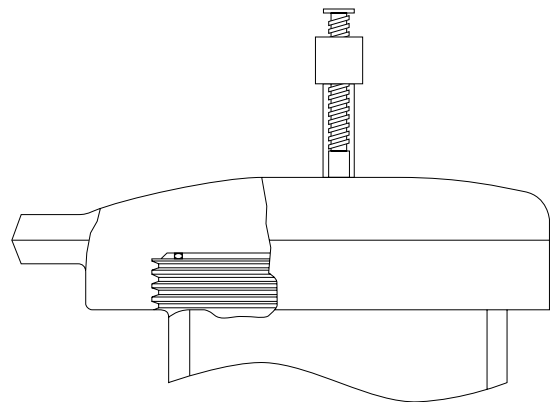
Cover Type Y - Yoke Hinged Cover

The yoke hinged closure is a true ANSI rated closure. Used primarily on high pressure applications, yoke hinged covers are available with 150#, 300#, 600#, 900#, and 1500# ANSI ratings. Yoke hinged covers available on IFC fabricated strainers are available with a wide range of operating aids ranging from single-lever chain and sprocket drives to completely automated types. O-rings are utilized as the sealing member.



Cover Type T - Quick Opening Threaded Cover

The threaded cover closure consists of a cap which fastens to a hub that has been welded to the strainer body. The female cap is threaded onto the male hub and an O-Ring is utilized to make the seal. The placement of this O-Ring prevents corrosion of the closure threads allowing for long, trouble free service. The threaded closure can be utilized on both nominal and high pressure applications.



General Comparison of Different Closure Types

Comparison Item	Closure Type				
	Bolted Type B	Bolted with davit Type BD	Swing Bolt Hinged Type H	Yoke Type Y	Threaded Type T
Cost (Ranking 1 = Least Expensive)	1	2	3	4	4
Quick Opening Ability (Ranking 1 = Quickest)	5	4	3	1	1
Low Pressure Applications (Recommended Closures)	X	X	X		
Nominal Pressure Applications (Recommended Closures)	X	X	X	X	X
High Pressure Applications (Recommended Closures)	X	X		X	X

Replacement Baskets

Design Features:

IFC designs and manufactures baskets for all makes of basket and duplex strainers. The range of materials and size of units is unlimited.

IFC is able to provide baskets manufactured from:

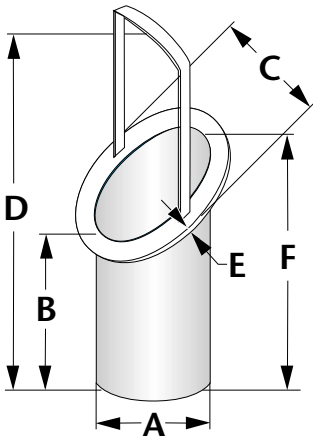
- > Perforated Plate
- > Mesh or Mesh/Perf. combination
- > Wedge Wire
- > Electron Beam Small Hole Perforated Plate

Using the above processes or combination thereof, IFC can provide screens and baskets suitable for a wide range of applications.

Screen/Basket Checklist

Kindly photocopy this page and fill out the pertinent information.

**BASKET STRAINER
STYLE "1"**



Performance Requirements

Description	Customers Requirement
Required Level of Filtration	
Material of Construction	
Minimum Specified Burst Pressure	
Flow Direction	
Other	

Dimensional Requirements

Description	Customers Requirement
Basket Style	(1 or 2)
Basket Outer Diameter	A
Basket Height	B
Ring OD	C
Overall Height	D
Ring Thickness	E
Basket Long Height	F

**BASKET STRAINER
STYLE "2"**

