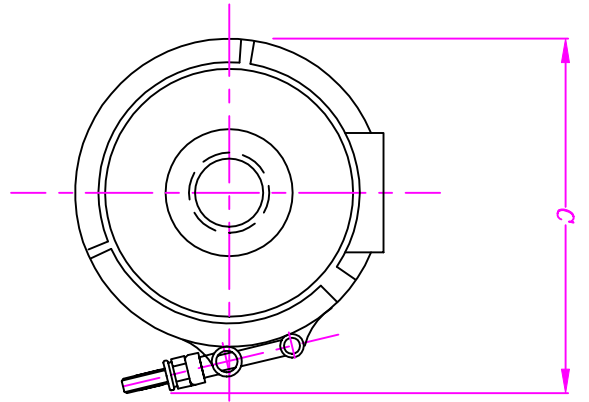
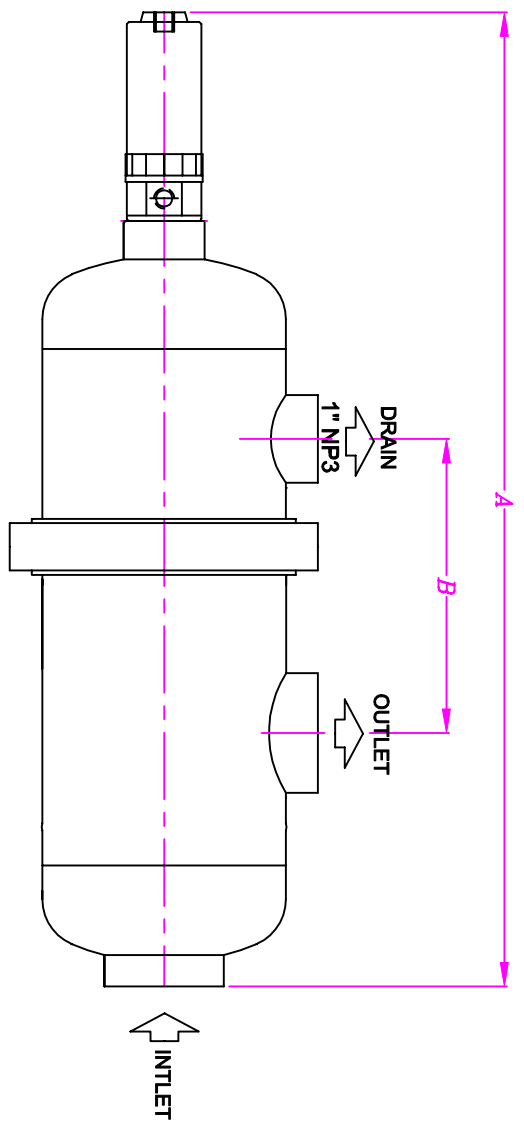


REVISIONS			
Symbol	Qty	Description	Date Approval



TECHNICAL DATA

Model	Max. Flow gpm	Max. Pressure psi	Screen Area sq.ft.	Weight lb	A in.(mm)	B in.(mm)	C in.(mm)	Inlet/Outlet
MTF-10S	20	150	0.3	11.0	18.0 (457)	5.4 (138)	6.5 (165)	1" NPT
MTF-15S	50	150	0.3	11.0	18.0 (457)	5.4 (138)	6.5 (165)	1.5" NPT
MTF-20S	100	150	0.5	14.0	21.6 (548)	7.0 (177)	6.5 (165)	2" NPT

PELMAR ENGINEERING LIMITED

Title		Dwg No
MINTWIST FILTER -SS		MTF-S-1
Dimension Drawing		Revision
Date	Scale	
01-2002		