

MINITWIST

AUTOMATIC SELF-CLEANING WATER FILTERS

- Fully automatic water filters
- Self cleaning is triggered by differential pressure or timer
- Rotating nozzles vacuum the screen without flow interruption
- Made of corrosion resistant materials
- Stainless steel permanent screen

Applications:

- ◆ Well water systems
- ◆ Drinking water pre-filtration
- ◆ Greenhouse & Nursery
- ◆ Irrigation systems

Advantages:

- Easy to install. Compact and lightweight
- No tools required for maintenance
- 10 Second backwash process, triggered a differential pressure switch or an adjustable Timer
- Uses only 2 gallons (7 liters) of water for backwash



Technical specifications:

Maximum Pressure	100 psi	7 bar
Maximum Temperature	140° F	60° C
Min. Backwash Pressure	30 psi*	2.0 bar*
Min. Backwash Flow	20 gpm	4.5 m ³ /h
Backwash Volume	2 gallons	7 liters

Models:

1"	MTFC-10-A-XXX
2"	MTFC-20-A-XXX

Filtration grade available:

Micron	25	50	100	150	200	500
Mesh	600	300	150	100	75	30

XXX - Micron

Pelmar Engineering Ltd.

Tel. (888) 754-6329, Fax. (416) 288-0385
www.pelmareng.com, sales@pelmareng.com

Distributed by:

Materials:

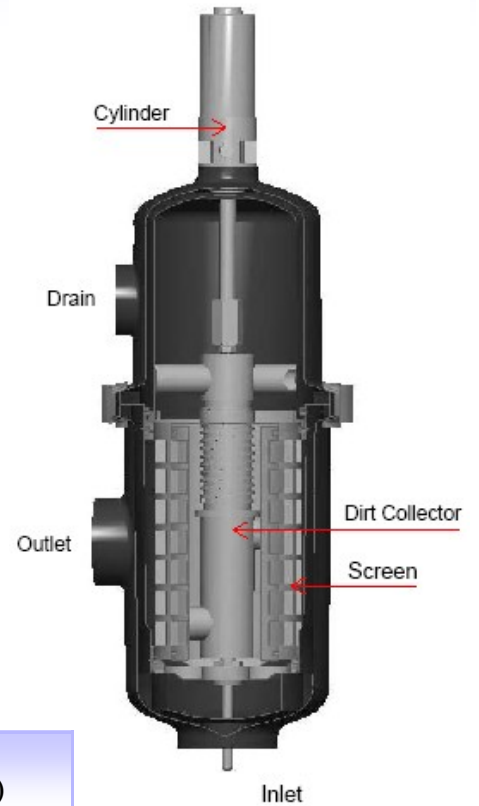
Housing: Nylon
Collector: Polypropylene
Filter element and trim: Stainless steel 304SS

Filter operation:

When filter is dirty, the drain valve opens, allows the dirt collector to vacuum the solids from the screen while rotating and moving up slowly.

Recommended maximum flow:

Micron	Water Quality	1" GPM / M ³ /H	2" GPM / M ³ /H
100	Good	33 / 8	46 / 11
	Average	25 / 6	35 / 8
	Poor	16 / 4	22 / 5
50	Good	25 / 6	35 / 8
	Average	13 / 3	18 / 4
	Poor	10 / 2	14 / 3
25	Good	10 / 2	14 / 3
	Average	7 / 1.5	10 / 2
	Poor	5 / 1	7 / 1.5



Dimensions:

End connections (NPT, BSP)	A In (mm)	B In (mm)	C In (mm)
1"	19.3 (490)	5.7 (145)	12 (300)
2"	21.6 (550)	7.1 (180)	12 (300)

