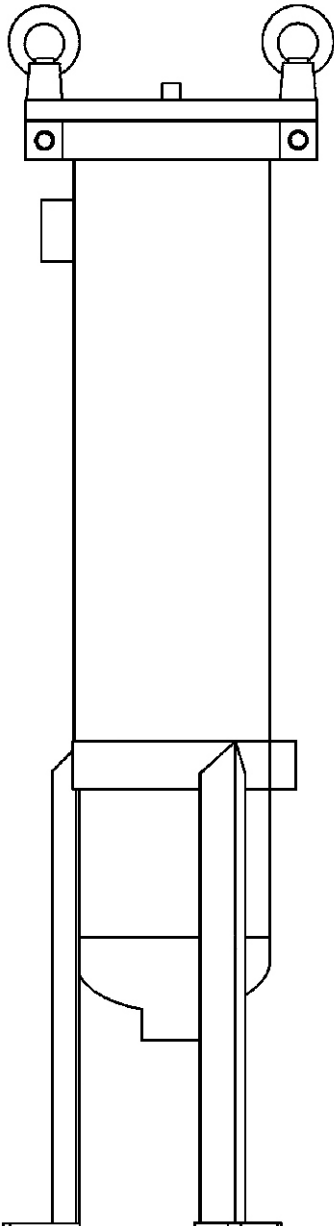


FHS SE (316SS) SERIES FILTER BAG HOUSING

The Pelmar FHS SE (316SS) Series of Filter Bag Housings is our most popular line of Filter Bag Housings. The Side Entry design has many of the quality features of our Over the Top design but its simpler layout allows for a reduction in materials resulting in an economical choice.

Our 316SS SE housing incorporates a unique bag clamping feature which securely clamps a wide range of filter bag top ring designs ensuring no bypass of contaminants. The 316SS SE design is available in P1 and P2 sizes.



FEATURES

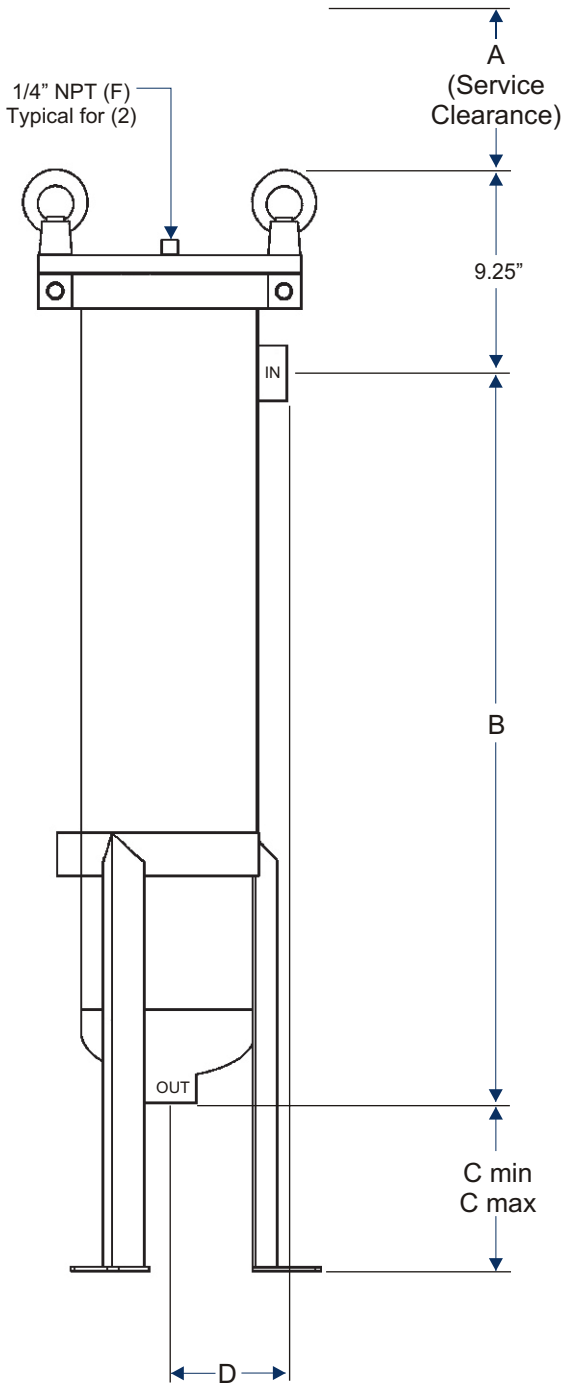
- **Unique bag clamping ensures no bypass.**
- **Four swing bolt closures for effortless access without special tools.**
- **High quality castings provide easy and accurate filtration.**
- **316SS Retainer Basket offers greater chemical resistance.**
- **Up to 180 US GPM with less than 2 PSI pressure drop. (Based on water-like viscosity and a clean filter bag.)**
- **SS Shot Blast facilitates easier vessel cleanup.**
- **Passivation of wetted parts provides increased corrosion resistance.**
- **Adjustable height 304 Stainless Steel three-leg stand.**
- **Built in cover rest facilitates bag change-out.**
- **100% hydraulic testing ensuring quality and performance.**

OPTIONS

- Mesh Lined Retainer Basket (Eliminates need for filter bag.)
- 304 Stainless Steel Hardware
- ANSI Flanged Inlet and Outlet Kits
- Optional O-Ring Materials in Buna N, EPR, Viton Encapsulated Teflon
- Electro Polishing
- Displacement Balloons
- Pressure Gauges and Switches
- Duplex or Multi-Plex Assemblies upon Request

FHS SE (316SS) SERIES FILTER BAG HOUSING

	P1	P2
DIM	2" FNPT	2" FNPT
A	23"	35"
B	19.7"	33.5"
C	6.2" - 13.0"	6.2" - 13.0"
D	5.4"	5.4"



SPECIFICATIONS

Maximum Pressure: 150 psig
 Temperature: -29° C to 232° C (-20 °F to 450 °F)
 Liquid Volume: P1 4.75 US Gal
 P2 7.4 US Gal
 Maximum Flow Rate*: P1 90 USGPM
 P2 180 USGPM

* Based on new filter with water &
 a maximum pressure drop of 2 psig

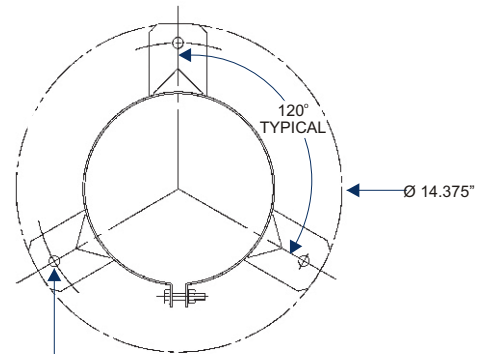
Inlet and Outlet: 2" FNPT
 Inlet Vent & Gauge Ports: 2 x 1/4" FNPT
 Weight: P1 19 Kg
 P2 23 Kg

MATERIALS

Housing & Cover: 316 Stainless Steel
 Retainer Basket: 316 Stainless Steel, 1/8" perf.
 Hardware**: Galvanized Carbon Steel
 O-Rings (Standard): Viton
 3-Leg Stand 304 Stainless Steel
 Name Plate**: Aluminum

** Stainless Steel is available as an option.

3-LEG STAND MOUNTING DETAIL



(3) 1/2" HOLES ON 12.625" B.C.D.