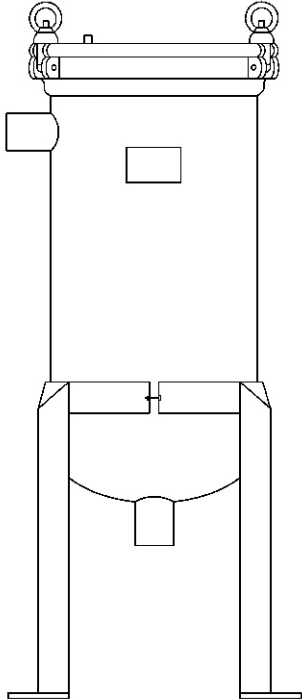




FHS SE (CS) SERIES FILTER BAG HOUSING

P1/P2



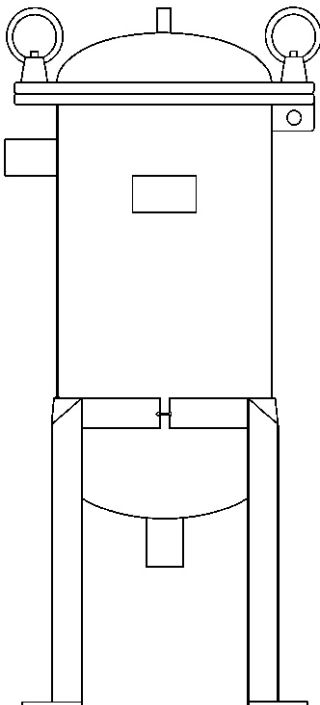
The Arctic FHS SE (CS) Series of Filter Bag Housings is our most popular line of Filter Bag Housing. The line is a Side Entry (SE) design and is our most economical choice in Carbon Steel (CS). It has a pressure rating of 150PSI @ -29° C to 160° C.

The Side Entry design has many of the quality features of our Over the Top design but its simpler layout allows for reduction in materials resulting in an economical choice. The Side Entry design in Carbon Steel is available in Sizes P1 through P4.

FEATURES

- Available in four sizes: P1, P2, P3 and P4.
- Four swing bolt closures allow easy access without special tools.
- High Quality Castings provide easy and accurate filtration.
- 304SS Retainer Basket offers greater chemical resistance.
- Up to 180 US GPM with less than 2 PSI pressure drop. (Based on water-like viscosity and a clean filter bag.)
- Glass Bead Blast facilitates easier vessel cleanup.
- Adjustable height three-leg stand.
- Cover rest to facilitate bag change-out.
- 100% hydraulic testing ensuring quality and performance.

P3/P4



OPTIONS

- Mesh Lined Retainer Basket (Eliminates need for filter bag.)
- 304 Stainless Steel Hardware
- ANSI Flanged Inlet and Outlet Kits
- Optional O-Ring Materials in Viton, EPR, Viton Encapsulated Teflon
- Displacement Balloons
- Pressure Gauges and Switches
- Duplex or Multi-Plex Assemblies upon Request

FHS SE (CS) SERIES FILTER BAG HOUSING

	P1	P2	P3	P4
DIM	2" FNPT	2" FNPT	1½" FNPT	1½" FNPT
A	20"	33"	12"	17"
B	20.0"	34.6"	11.2"	17.3"
C	7.4" - 17.0"	6.3" - 12.8"	5.8" - 8.8"	5.8" - 11.5"
D	7.3"	7.3"	4.0"	4.0"

SPECIFICATIONS

Maximum Pressure: 150 psig
 Temperature: -29° C to 160° C (-20 °F to 320 °F)
 Liquid Volume: P1 4.80 US Gal
 P2 8.50 US Gal
 P3 0.80 US Gal
 P4 1.30 US Gal
 Maximum Flow Rate*: P1 90 USGPM
 P2 180 USGPM
 P3 25 USGPM
 P4 50 USGPM

* Based on new filter with water & a maximum pressure drop of 2 psig

Inlet and Outlet: P1/P2 2" FNPT
 P3/P4 1½" FNPT
 Inlet Vent & Gauge Port: ¼" FNPT
 Weight: P1 28 Kg
 P2 45 Kg
 P3 12 Kg
 P4 13 Kg

MATERIALS

Housing & Cover: Carbon Steel Painted with High Temperature Enamel
 Retainer Basket: 304 Stainless Steel, 1/8" perf.
 Hardware**: Galvanized Carbon Steel
 O-Rings (Standard): Buna-N
 3-Leg Stand: Painted Carbon Steel
 Name Plate**: Aluminum

** Stainless Steel is available as an option.

3-LEG STAND MOUNTING DETAIL

