

# MINITWIST

## AUTOMATIC SELF-CLEANING WATER FILTERS

- Fully automatic water filters
- Self cleaning is triggered by differential pressure or timer
- Rotating nozzles vacuum the screen without flow interruption
- Made of corrosion resistant materials
- Stainless steel permanent screen

### Applications:

- ◆ Well water systems
- ◆ Drinking water pre-filtration
- ◆ Greenhouse & Nursery
- ◆ Irrigation systems

### Advantages:

- Easy to install. Compact and lightweight
- No tools required for maintenance
- 10 Second backwash process, triggered a differential pressure switch or an adjustable Timer
- Uses only 2 gallons (7 liters) of water for backwash



### Technical specifications:

Maximum Pressure	80 psi	5.5 bar
Maximum Temperature	140° F	60° C
Min. Backwash Pressure	30 psi*	2.0 bar*
Min. Backwash Flow	20 gpm	4.5 m <sup>3</sup> /h
Backwash Volume	2 gallons	7 liters

### Models:

1"	MTFC-10-A-XXX
2"	MTFC-20-A-XXX

### Standard Filtration Grade (other sizes available upon request):

Micron	25	50	100	150	200	500
Mesh	600	300	150	100	75	30

XXX - Micron

### Pelmar Engineering Ltd.

Tel. (888) 754-6329, Fax. (416) 288-0385  
www.pelmareng.com, sales@pelmareng.com

### Distributed by:

**Materials:**

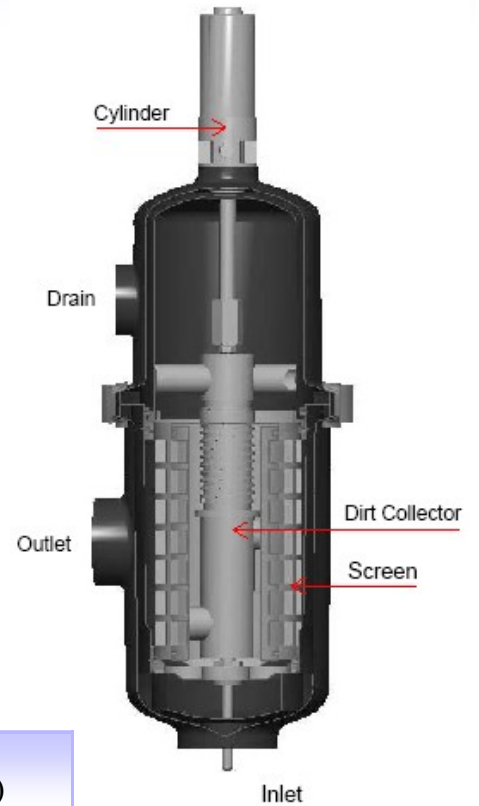
Housing: Nylon  
 Collector: Polypropylene  
 Filter element and trim: Stainless steel 304SS

**Filter operation:**

When filter is dirty, the drain valve opens, allows the dirt collector to vacuum the solids from the screen while rotating and moving up slowly.

**Recommended maximum flow:**

Micron	Water Quality	1" GPM / M <sup>3</sup> /H	2" GPM / M <sup>3</sup> /H
	Good	44 / 10	88 / 20
100 - 500	Average	35 / 8	66 / 15
	Poor	16 / 4	35 / 8
	Good	25 / 6	44 / 10
50	Average	18 / 4	30 / 7
	Poor	10 / 2	14 / 3
	Good	22 / 5	35 / 8
25	Average	14 / 3	22 / 5
	Poor	5 / 1	9 / 2



**Dimensions:**

End connections (NPT, BSP)	A In (mm)	B In (mm)	C In (mm)
1"	19.3 (490)	5.7 (145)	12 (300)
2"	21.6 (550)	7.1 (180)	12 (300)

