

MINITWIST SEMI-AUTOMATIC FILTERS

Model MTFC-SA

- Semi automatic water filter
- Self cleaning is triggered by opening the drain valve
- Rotating nozzles vacuuming the screen without flow interruption
- Made of corrosion resistance materials
- Stainless steel permanent screen

Applications:

- Drinking water pre-filtration
- Industrial cooling systems
- Waste water
- Irrigation

Advantages:

- Easy to install
- No tools required for maintenance
- 8 Seconds backwash process
- Uses only 2 gallon (7 liter) of water for backwash



Technical specifications:

Maximum Pressure	80 psi	5.5 bar
Maximum Temperature	140° F	60° C
Min. Backwash Pressure	30 psi*	2.0 bar*
Min. Backwash Flow	20 gpm	4.5 m ³ /h
Backwash Volume	2 gallon	7 liter

* Depends on micron size. Finer filtration require higher pressure

Models:

1"	MTFC-10-SA-XXX
2"	MTFC-20-SA-XXX

Filtration grade available:

Micron	25	50	100	150	200	500
Mesh	600	300	150	100	75	30

XXX - Micron

Pelmar Engineering Ltd.

Tel. (888) 754-6329, Fax. (416) 288-0385
www.pelmareng.com, sales@pelmareng.com

Distributed by:

Materials:

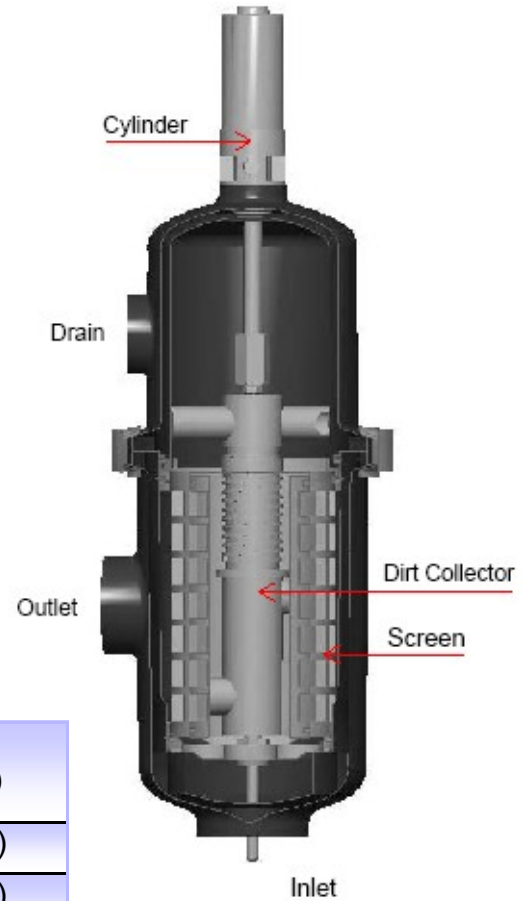
Housing: Nylon
 Collector: Polypropylene
 Filter element and trim: Stainless steel 304SS

Filter operation:

When filter is dirty, opening the drain valve for 5 seconds allows the dirt collector to vacuum the solids from the screen while rotating and moving up slowly. Closing the outlet valve during backwash enhance backwash quality.

Recommended flow:

Micron	Water Quality	1" GPM / M ³ /H	2" GPM / M ³ /H
	Good	33 / 8	46 / 11
100	Average	25 / 6	35 / 8
	Poor	16 / 4	22 / 5
	Good	25 / 6	35 / 8
50	Average	13 / 3	18 / 4
	Poor	10 / 2	14 / 3
	Good	10 / 2	14 / 3
25	Average	7 / 1.5	10 / 2
	Poor	5 / 1	7 / 1.5



Dimensions:

End connections (NPT, BSP)	A In (mm)	B In (mm)	C In (mm)
1"	22 (560)	5.7 (145)	12 (300)
2"	24 (610)	7.1 (180)	17 (430)

