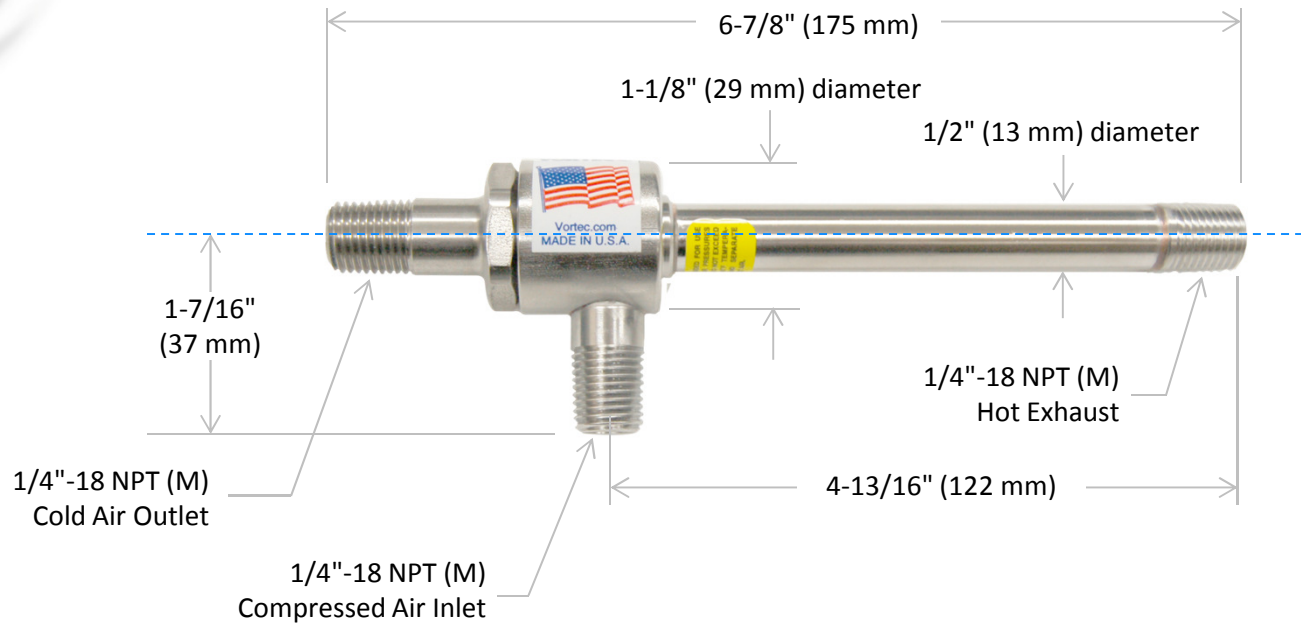




Vortex Tube

Model 208SS



| SPECIFICATIONS | | | | | | | | |
|----------------|------------------|-------|-----------------|------|------------------|------------------|--------|------|
| Product | Cooling Capacity | | Air Consumption | | Inlet Size | Outlet Size | Weight | |
| | BTU/hr | Watts | SCFM | SLPM | | | lbs | kg |
| 208-11-HSS | 640 | 188 | 11 | 311 | 1/4 inch NPT (M) | 1/4 inch NPT (M) | 0.4 | 0.18 |
| 208-15-HSS | 900 | 264 | 15 | 425 | 1/4 inch NPT (M) | 1/4 inch NPT (M) | 0.4 | 0.18 |
| 208-25-HSS | 1500 | 440 | 25 | 708 | 1/4 inch NPT (M) | 1/4 inch NPT (M) | 0.4 | 0.18 |
| 208-35-HSS | 2500 | 733 | 35 | 991 | 1/4 inch NPT (M) | 1/4 inch NPT (M) | 0.4 | 0.18 |

Note: Specifications are for 100 psig (6.9 bar) compressed air.

