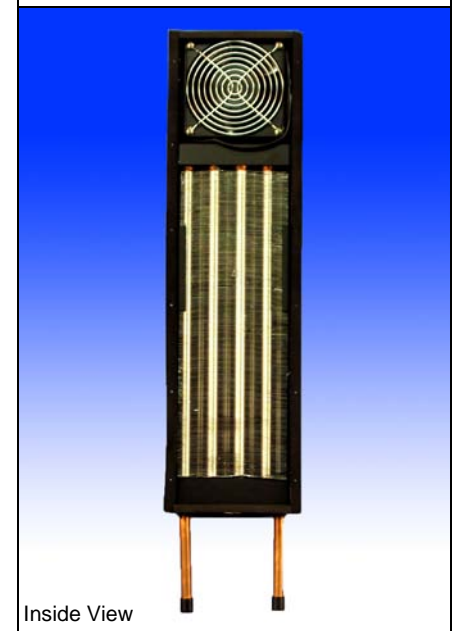
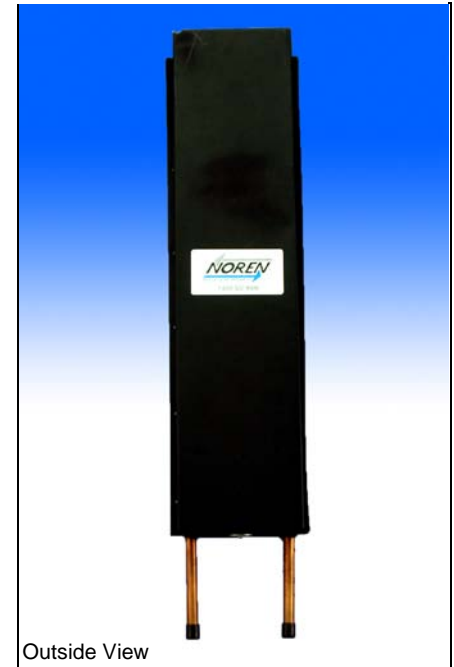
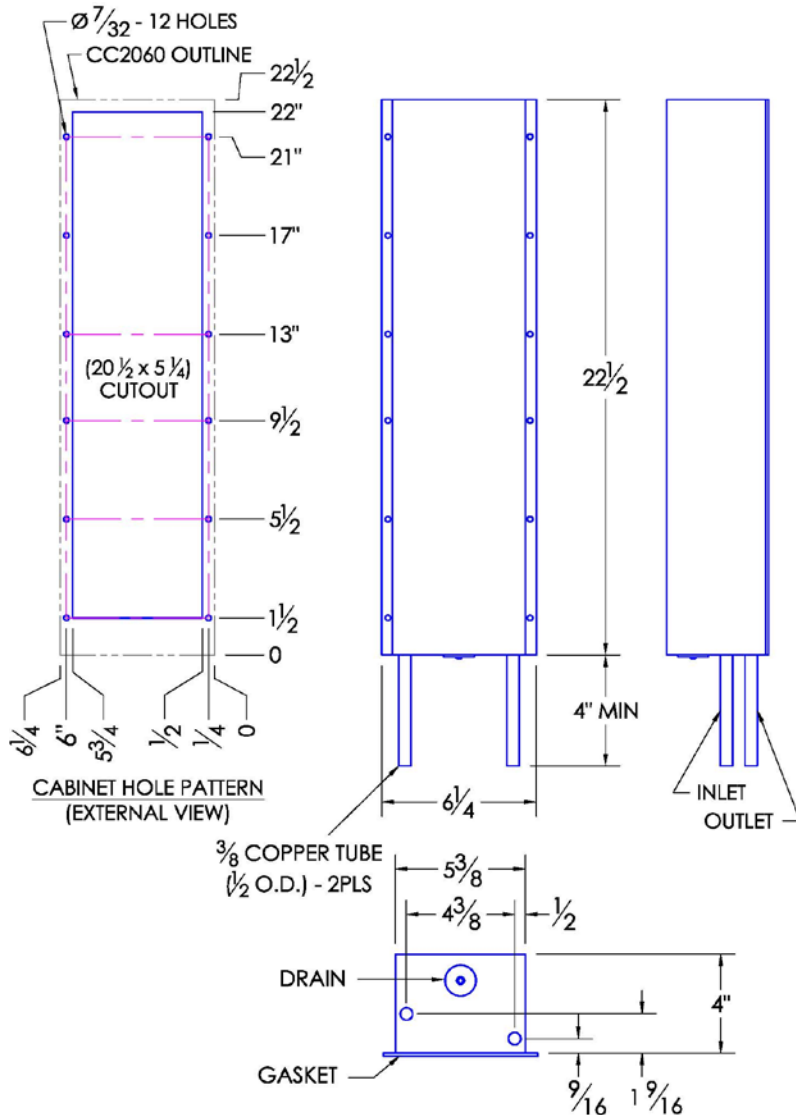


CC2060 TYPE 12 COMPACT CABINET COOLER AIR-TO-WATER FLUSH-MOUNT MODEL

Model	Weight	Rating @ 40°C ΔT BTU / hr	Amps Current Draw at 115 volts AC	Fan Size	Dimensions-Inches (H x W x D)
CC2060	9 lbs	3,350	0.2	1 x 4"	22-1/2 x 6-1/4 x 4

Efficiency: 24.5 Watts / °C ΔT based on average internal cabinet temperature.



SPECIFICATIONS

- UL Listed for TYPE 12 environments.
- CC2060 Rated cooling: 980 Watts mounted to an uninsulated 24" x 24" x 16" Cabinet with 1 GPM of water at 20°C, 40°C ambient air and 60°C cabinet air temperature.
- Designed for surface mounting on the outside of cabinet.
- Housing is aluminum (color is black).
- External water inlet and outlet connections.
- Equipped with mounting gasket to maintain air tight seal.
- Available with AC (115 & 230V) and DC (12, 24, & 48V) fans. DC version includes junction box, consult website.
- Vertical mounting only.
- Coolant water pressure: Pressure tested to 100 psi. Safe working pressure is 60 psi.
- Recommended coolant flow rate (gallons per minute): 1 GPM
- For design, quote, and sizing assistance: call (888) 754-6329.

Subject to change without notice.



Pelmar Engineering Ltd.

Tel. (888) 754-6329
 sales@pelmareng.com
 www.pelmareng.com

CC2060 TYPE 12

CCS-PBD-7.2.2-883342-A