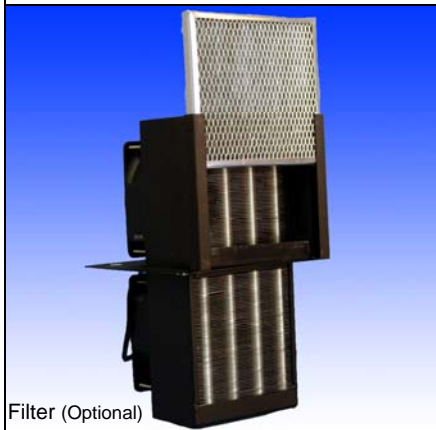
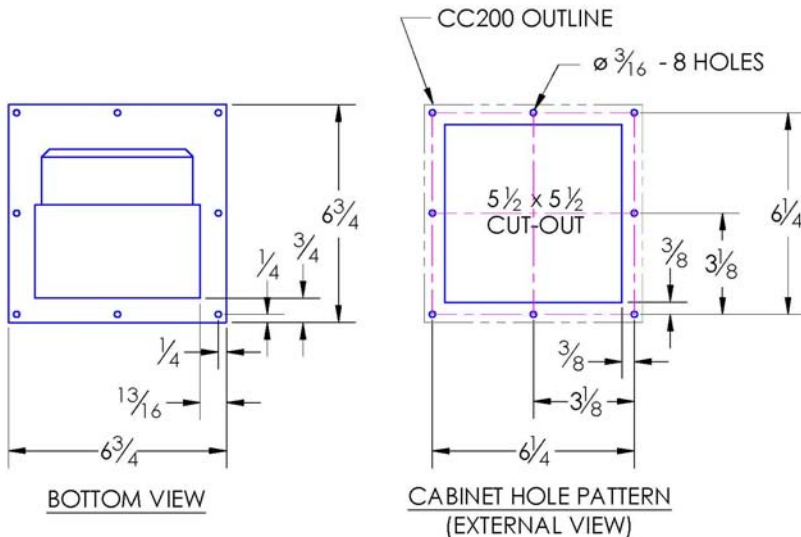
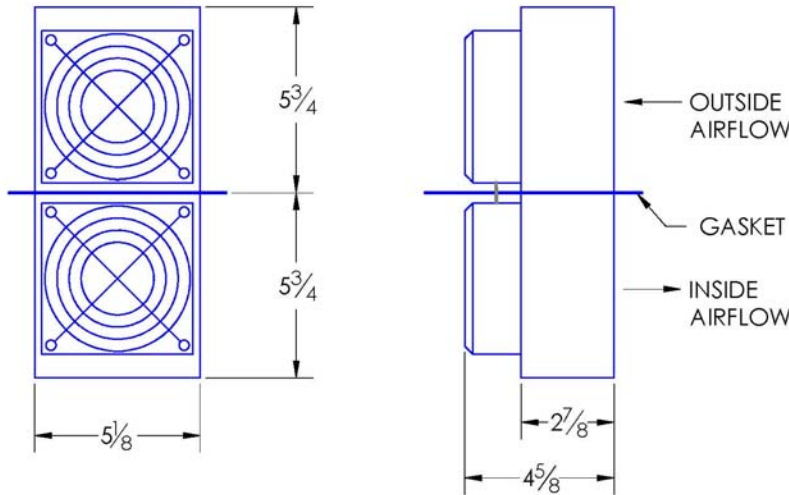


# CC200 TYPE 12 COMPACT CABINET COOLER AIR-TO-AIR DROP-IN MODEL

Model	Weight	Rating @ 20°C ΔT BTU / hr	Amps Current Draw at 115 volts AC	Fan Size 2 x 4"	Dimensions-Inches (H x W x D)
CC200	6 lbs	1,100	0.4	2 x 4"	11-1/2 x 5-1/8 x 4-5/8

Efficiency: 16.5 Watts / °C ΔT based on average internal cabinet temperature.



- SPECIFICATIONS**
- UL Listed for TYPE 12 environments.
  - CC200 Rated cooling: 330 Watts at 20°C ΔT (16.5 W/°C, mounted to an uninsulated 24" X 24" X 16" Cabinet)
  - Extends 5-3/4" into cabinet.
  - Housing is aluminum (color is black). Stainless steel is available.
  - Equipped with mounting gasket to maintain air tight seal.
  - Internal 6-ft. power cord with 3-prong plug is standard for AC powered units.
  - Available with VAC (115 & 230) and VDC (12, 24, & 48) fans. DC powered units include junction box, consult website.
  - Unit may be mounted vertically (as shown) or horizontally.
  - Optional: inlet air-filter kit available upon request.
  - 10. For design, quote, and sizing assistance: call (888) 754-6329.**

Subject to change without notice.



UL File #SA9567



Proudly made in USA



ISO 9001:2008  
 FM 554949



**Pelmar Engineering Ltd.**

Tel. (888) 754-6329  
 sales@pelmareng.com  
 www.pelmareng.com

**CC200 TYPE 12**

CCS-PBD-7.2.2-883365-A