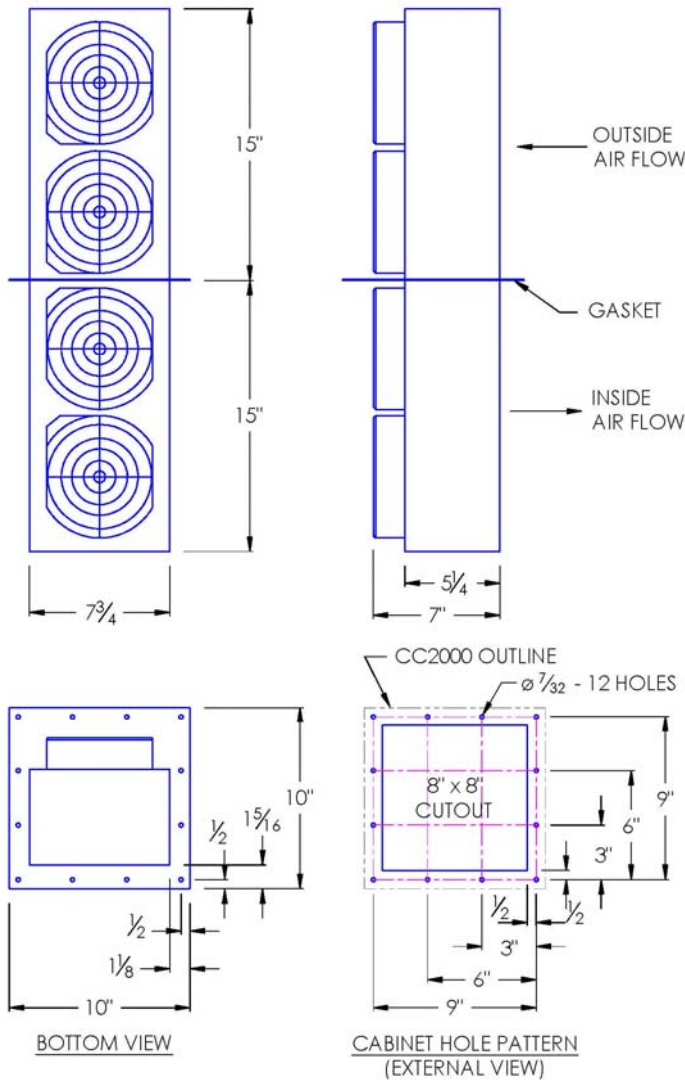




CC2000 TYPE 12 COMPACT CABINET COOLER AIR-TO-AIR DROP-IN MODEL

Model	Weight	Rating @ 20°C ΔT BTU / hr	Amps Current Draw at 115 volts AC	Fan Size	Dimensions-Inches (H x W x D)
CC2000	28 lbs	7,500	1.2	4 x 6"	30 x 7-3/4 x 7

Efficiency: 110.4 Watts / °C ΔT based on average internal cabinet temperature.



Front View

Back View

Filter (Optional)

SPECIFICATIONS

- UL Listed for TYPE 12 environments.
- CC2000 Rated cooling: 2,208 Watts at 20°C ΔT (110.4 W/°C, mounted to an uninsulated 72" X 36" X 24" Cabinet)
- Extends 15" into cabinet.
- Housing is aluminum (color is black). Stainless steel is available.
- Equipped with mounting gasket to maintain air tight seal.
- Internal 6-ft. power cord with 3-prong plug is standard for AC powered units.
- Available with VAC (115 & 230) and VDC (12, 24, & 48) fans. DC powered units include junction box, consult website.
- Unit may be mounted vertically (as shown) or horizontally.
- Optional: inlet air-filter kit available upon request.
- 10. For design, quote, and sizing assistance: call (888) 754-6329.**

Subject to change without notice.



UL File #SA9567



Proudly made in USA



ISO 9001:2008
FM 554949



Noren Products, Inc.
1010 O'Brien Drive
Menlo Park, CA 94025
(650) 322 - 9500
www.norenproducts.com

CC2000 TYPE 12

CCS-PBD-7.2.2-883359-A