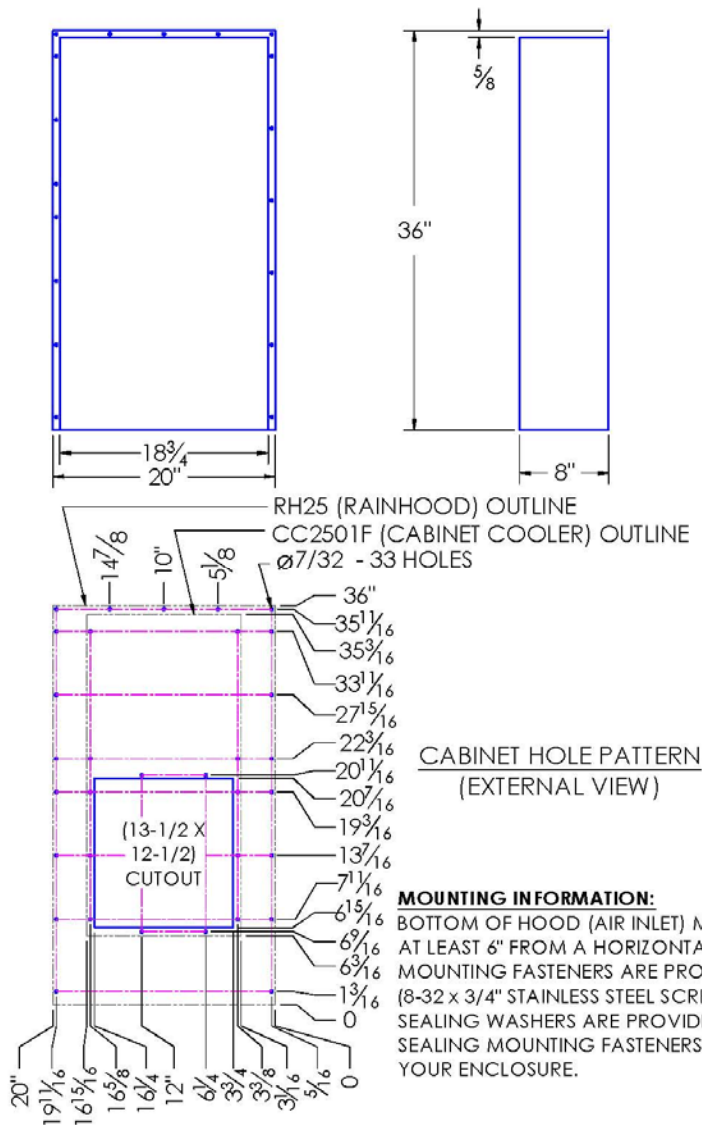




# CC2501F-RH25 & CC2501F-WL\*-RH25 COMPACT CABINET COOLER WITH RAIN HOOD MODEL

Model	Weight	Rating @ 20°C ΔT BTU / hr	Amps Current Draw at 115 volts AC	Fan Size	Dimensions-Inches (H x W x D)
CC2501F- RH25	42 lbs	6,750	1.96	4 x 6"	36 x 20 x 8

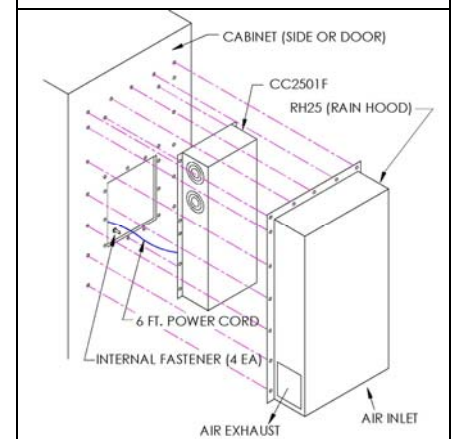
Efficiency: 99.0 Watts / °C ΔT based on average internal cabinet temperature.



Outside View



Inside View



## SPECIFICATIONS

- Unit and options are UL Listed (SA9567) for TYPE 3R or TYPE 4 environments.
- CC2501F Rated cooling: 1,980 Watts at 20°C ΔT (99.0 W/°C, mounted to an uninsulated 72" x 36" x 24" cabinet.)
- Cabinet cooler with hood design for surface mounting on outside of cabinet.
- Housing and hood are aluminum (color is black). Stainless steel is available.
- Equipped with mounting gasket to maintain the NEMA / TYPE 3R or 4 integrity of your cabinet.
- Pressure tested to insure liquid tight seal.
- \* 7. Optional "WET LOCATION FAN" (-WL) is required for TYPE 4 (HOSE DOWN).**
- Internal 6-ft. power cord with 3-prong plug is standard for AC powered units.
- Available with VAC (115 & 230) and VDC (12, 24, & 48) fans. DC powered units include junction box, consult website.
- For Vertical mounting only (as shown).
- Optional: inlet air-filter kit available upon request.
- 12. For design, quote, and sizing assistance: call (888) 754-6329.**

Subject to change without notice.



**Pelmar Engineering Ltd.**

Tel. (888) 754-6329  
sales@pelmareng.com  
www.pelmareng.com

CC2501F-RH25 & CC2501F-WL\*-RH25

CCS-PBD-7.2.2-883336-B