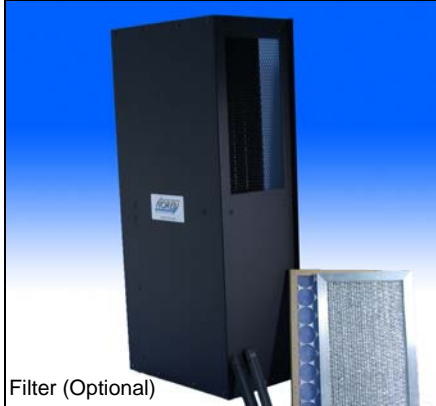
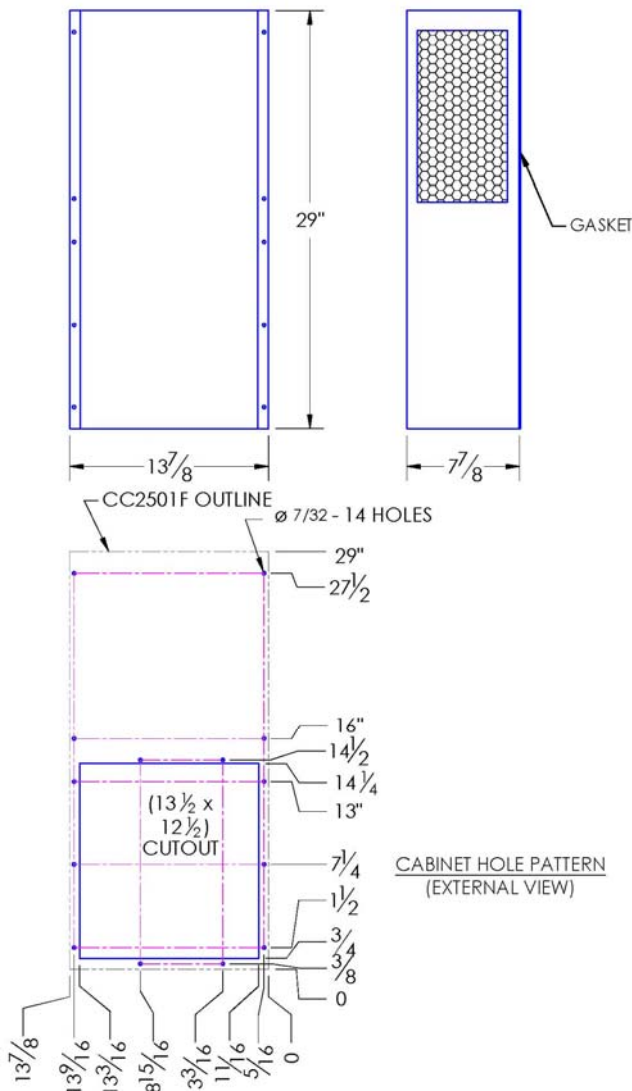




# CC2501F-WL\* HOSEDOWN COMPACT CABINET COOLER AIR-TO-AIR FLUSH-MOUNT MODEL

Model	Weight	Rating @ 20°C ΔT BTU / hr	Amps Current Draw at 115 volts AC	Fan Size	Dimensions-Inches (H x W x D)
CC2501F-WL	30 lbs	7,100	1.2	4 x 6"	29 x 13-7/8 x 7-7/8

Efficiency: 104.0 Watts / °C ΔT based on average internal cabinet temperature.



## SPECIFICATIONS

- Unit and options are UL Listed for hosedown environments (TYPE 4 / INDOOR ONLY).
- CC2501F Rated cooling: 2,080 Watts at 20°C ΔT (104.0 W/°C, mounted to an uninsulated 72" x 36" x 24" cabinet.)
- Designed for surface mounting on outside of cabinet.
- Housing is aluminum (color is black). Stainless steel is available.
- Equipped with mounting gasket to maintain the TYPE 4 integrity of your cabinet.
- Pressure tested to insure liquid tight seal.
- \* 7. "WET LOCATION FAN" (-WL) is required for "HOSEDOWN" applications.**
- Internal 6-ft. power cord with 3-prong plug is standard for AC powered units.
- Available with VAC (115 & 230) and VDC (12, 24, & 48) fans. DC powered units include junction box, consult website.
- Vertical mounting (as shown) is standard. Call for horizontal applications.
- Optional: inlet air-filter kit available upon request.
- 12. For design, quote, and sizing assistance: call (888) 754-6329.**



**THERMAL SOLUTIONS**  
**NOREN**  
Products Incorporated

**Pelmar Engineering Ltd.**  
Tel. (888) 754-6329  
sales@pelmareng.com  
www.pelmareng.com

**CC2501F-WL\* HOSEDOWN**

CCS-PBD-7.2.2-883364-A