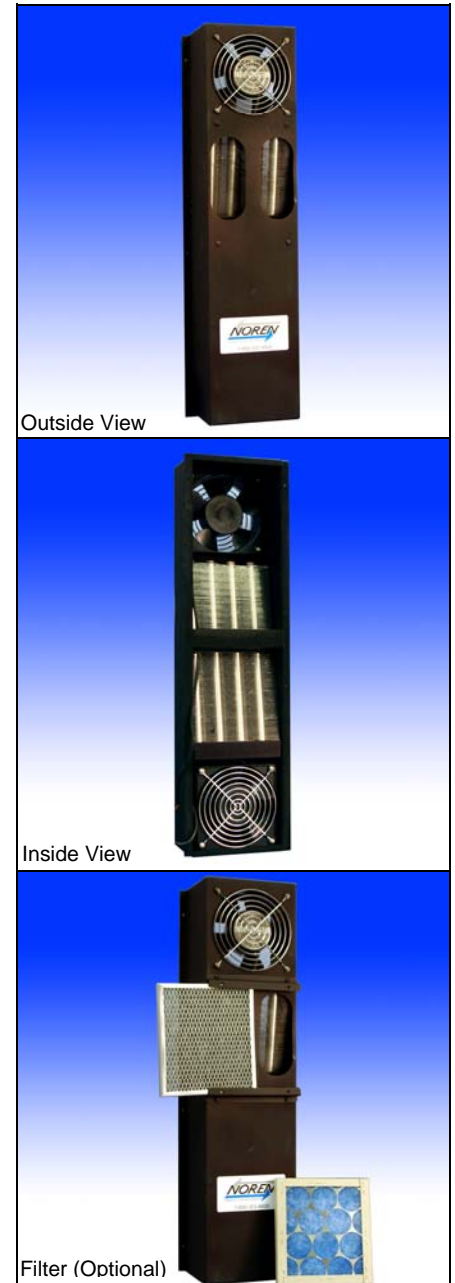
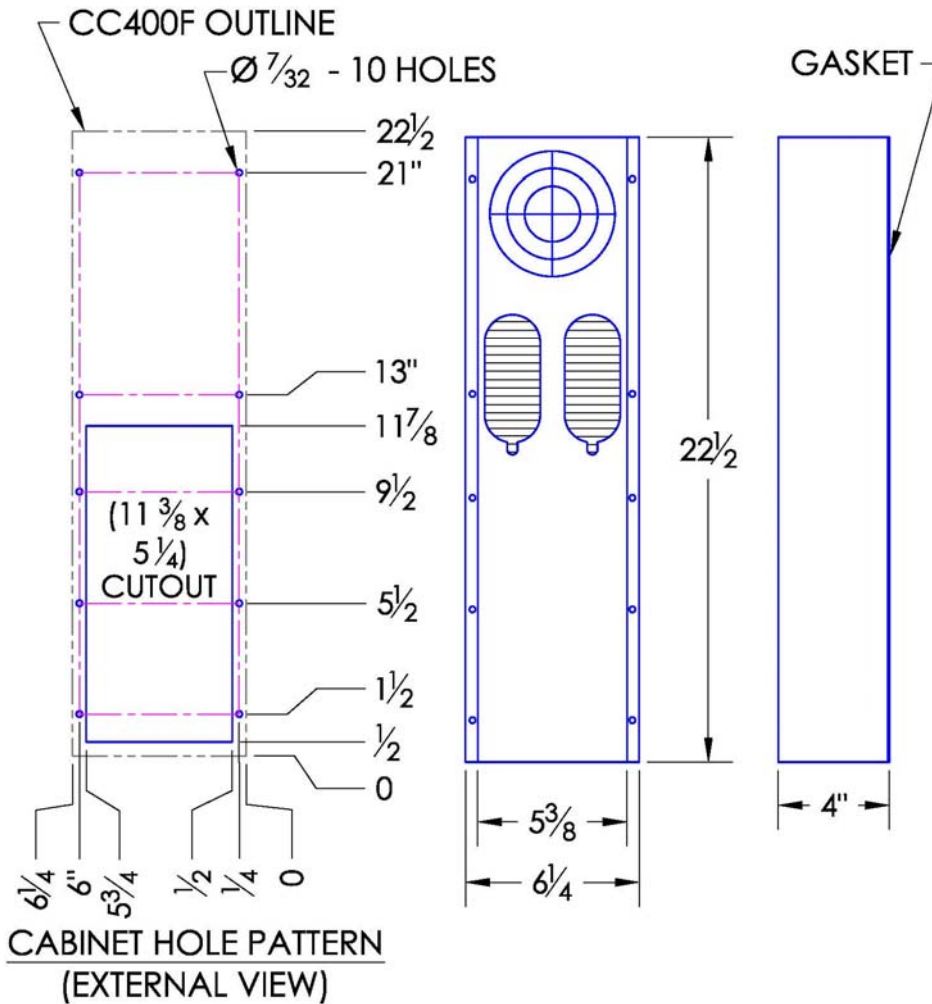


CC400F TYPE 12 COMPACT CABINET COOLER AIR-TO-AIR FLUSH-MOUNT MODEL

Model	Weight	Rating @ 20°C ΔT BTU / hr	Amps Current Draw at 115 volts AC	Fan Size	Dimensions-Inches (H x W x D)
CC400F	10 lbs	1,400	0.4	2 x 4"	22-1/2 x 6-1/4 x 4

Efficiency: 20.4 Watts / °C ΔT based on average internal cabinet temperature.



SPECIFICATIONS

1. UL Listed for TYPE 12 environments.
2. CC400F Rated cooling: 408 Watts at 20°C ΔT (20.4W/°C, mounted to an uninsulated 24" X 24" X 16" Cabinet)
3. Designed for surface mounting on outside of cabinet.
4. Housing is aluminum (color is black). Stainless steel is available.
5. Equipped with mounting gasket to maintain air tight seal.
6. Internal 6-ft. power cord with 3-prong plug is standard for AC powered units.
7. Available with AC (115 & 230V) and DC (12, 24, & 48) fans. DC version includes junction box, consult website.
8. Unit may be mounted vertically (as shown) or horizontally.
9. Optional: inlet air-filter kit available upon request.
10. For design, quote, and sizing assistance: call (888) 754-6329.

Subject to change without notice.



UL File #SA9567



Proudly made in USA



ISO 9001:2008
FM 554949



Pelmar Engineering Ltd.

Tel. (888) 754-6329
 sales@pelmareng.com
 www.pelmareng.com

CC400F TYPE 12

CCS-PBD-7.2.2-883351-B