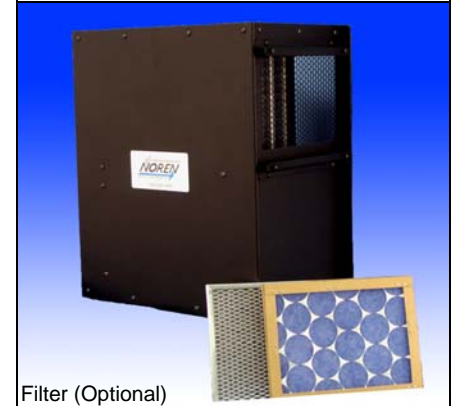
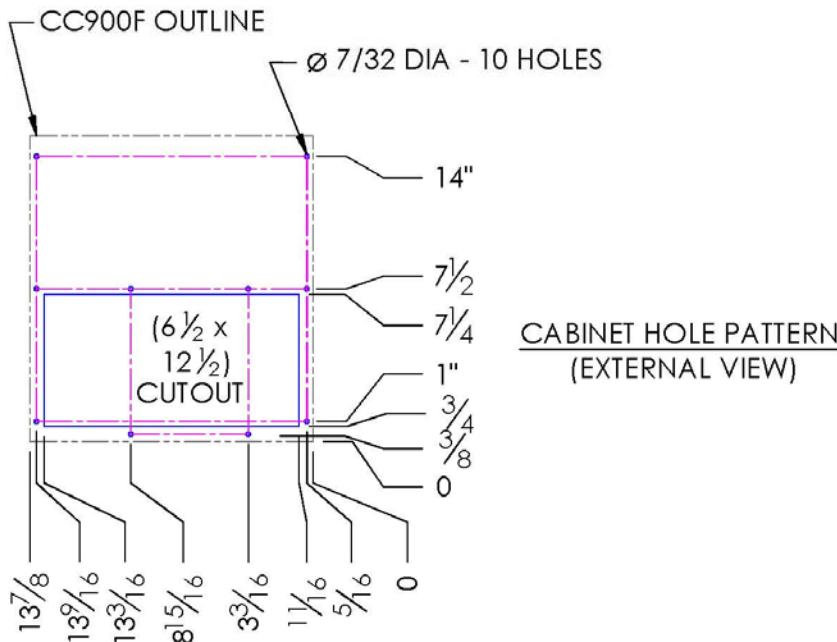
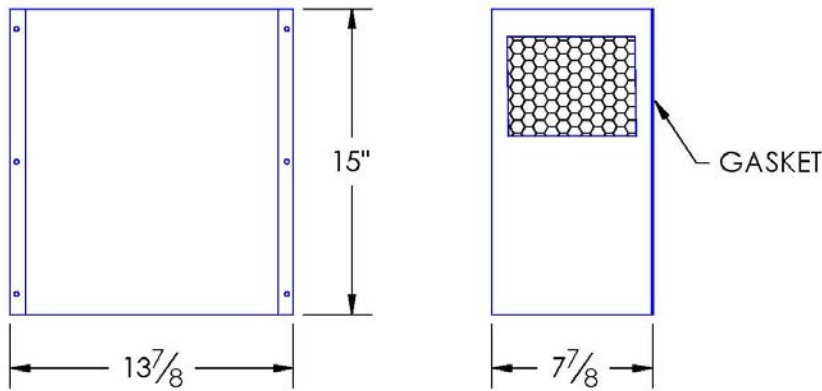




CC900F TYPE 12 COMPACT CABINET COOLER AIR-TO-AIR FLUSH-MOUNT MODEL

Model	Weight	Rating @ 20°C ΔT BTU / hr	Amps Current Draw at 115 volts AC	Fan Size	Dimensions-Inches (H x W x D)
CC900F	16 lbs	4,500	0.6	2 x 6"	15 x 13-7/8 x 7-7/8

Efficiency: 66.0 Watts / °C ΔT based on average internal cabinet temperature.



- SPECIFICATIONS**
- UL Listed for TYPE 12 environments.
 - CC900F Rated cooling: 1,320 Watts at 20°C ΔT (66.0W/°C, mounted to an uninsulated 72" X 36" X 24" Cabinet)
 - Designed for surface mounting on outside of cabinet.
 - Housing is aluminum (color is black). Stainless steel is available.
 - Equipped with mounting gasket to maintain air tight seal.
 - Internal 6-ft. power cord with 3-prong plug is standard for AC powered units.
 - Available with VAC (115 & 230) and VDC (12, 24, & 48) fans. DC powered units include junction box, consult website.
 - Unit may be mounted vertically (as shown) or horizontally.
 - Optional: inlet air-filter kit available upon request.
 - For design, quote, and sizing assistance: call (888) 754-6329.**

Subject to change without notice.



THERMAL SOLUTIONS
NOREN
Products Incorporated

Pelmar Engineering Ltd.
Tel. (888) 754-6329
sales@pelmareng.com
www.pelmareng.com

CC900F TYPE 12

CCS-PBD-7.2.2-883352-A