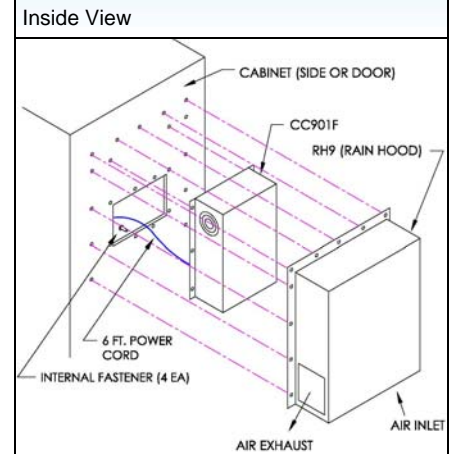
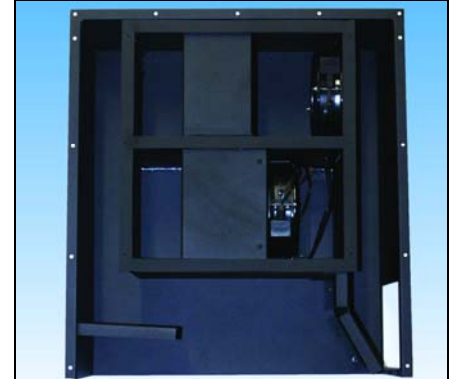
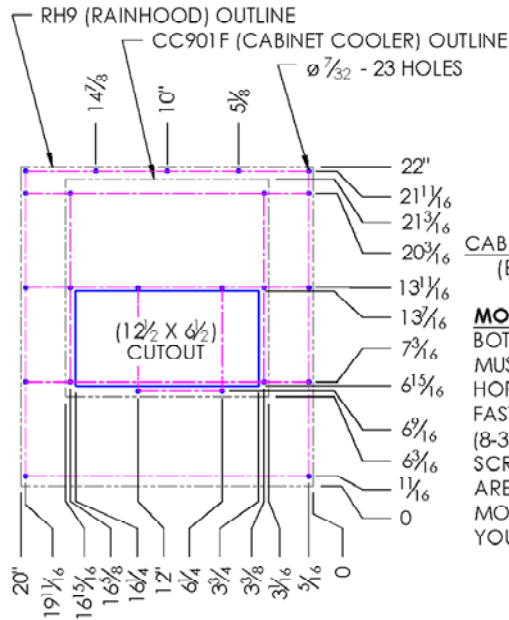
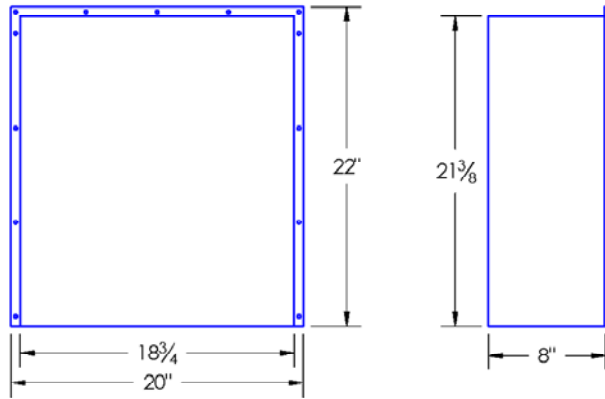




CC901F-RH9 & CC901F-WL*-RH9 COMPACT CABINET COOLER WITH RAIN HOOD MODEL

Model	Weight	Rating @ 20°C ΔT BTU / hr	Amps Current Draw at 115 volts AC	Fan Size	Dimensions-Inches (H x W x D)
CC901F- RH9	23 lbs	4,280	0.98	2 x 6"	22 x 20 x 8

Efficiency: 62.7 Watts / °C ΔT based on average internal cabinet temperature.



SPECIFICATIONS

- Unit and options are UL Listed (SA9567) for TYPE 3R or TYPE 4 environments.
- CC901F Rated cooling: 1,254 Watts at 20°C ΔT (62.7 W/°C, mounted to an uninsulated 72" x 36" x 24" cabinet.)
- Cabinet cooler with hood design for surface mounting on outside of cabinet.
- Housing and hood are aluminum (color is black). Stainless steel is available.
- Equipped with mounting gasket to maintain the NEMA / TYPE 3R or 4 integrity of your cabinet.
- Pressure tested to insure liquid tight seal.
- * 7. Optional "WET LOCATION FAN" (-WL) is required for TYPE 4 (HOSE DOWN).**
- Internal 6-ft. power cord with 3-prong plug is standard for AC powered units.
- Available with VAC (115 & 230) and VDC (12, 24, & 48) fans. DC powered units include junction box, consult website.
- For Vertical mounting only (as shown).
- Optional: inlet air-filter kit available upon request.
- 12. For design, quote, and sizing assistance: call (888) 754-6329.**

Subject to change without notice.



Pelmar Engineering Ltd.

Tel. (888) 754-6329
sales@pelmareng.com
www.pelmareng.com

CC901F-RH9 & CC901F-WL*-RH9

CCS-PBD-7.2.2-883347-A