

ICEqube

Cooling Solutions



Top Mount Slim

**2,000 & 2,500 TXS BTUH - 120 & 230 VAC
Air Conditioners**

**Standard Features
Options
Technical Data
Air Flow**

For enclosure or panel cooling, Our exclusive use of a rotary compressor allows us to manufacture the smallest, lightest weight, most energy efficient cooling solutions in the industry.

Standard Features

- Digital temperature controller with alarm.
- Built-in condensate evaporator.
- Durable 16 gauge welded steel construction.
- Efficient, quiet, long lasting rotary compressor.
- Environment friendly HFC refrigerant.
- Easy pull-out filter.
- UL Listed.
- Space saving aesthetic cabinet design.
- Designed to mount on side of enclosure while maintaining NEMA type 12, 3R, 4, or 4X integrity.



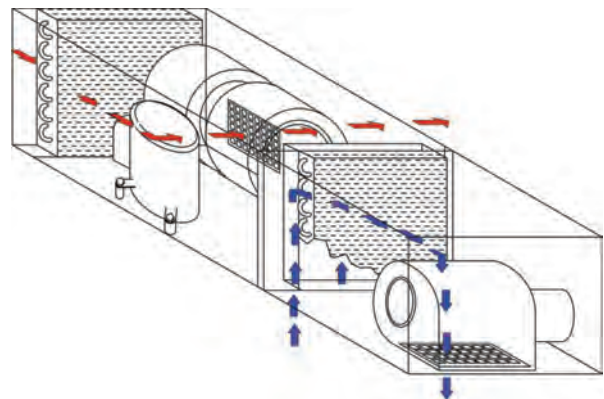
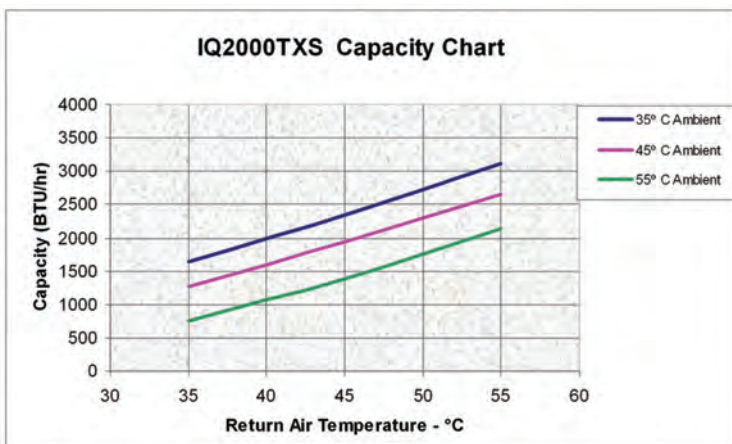
Options & Accessories

- Stainless Steel
- Remote Controller Kit
- Replacement Filters
- Corrosive Packages
- External Heat Output
- Low Ambient
- Alarm Output

Technical Data

**2,000 & 2,500
BTUH**

Model	BTU/Watts	Volts	Max Amps	Max Temp °F/°C	Weight (lbs/Kg)	Dimensions (In/mm)
IQ2000TXS	2000/586	120/60	4.7	131/55c	50 / 22.7	H 9.25" (235mm) x W 10.28" (261mm) x D 24.28" (617mm)
IQ2000TXS	2000/586	230/60/50	2.3/2.6	131/55c	50 / 22.7	H 9.25" (235mm) x W 10.28" (261mm) x D 24.28" (617mm)
IQ2500TXS	2500/733	120/60	7.6	125/52c	50 / 22.7	H 9.25" (235mm) x W 10.28" (261mm) x D 24.28" (617mm)
IQ2500TXS	2500/733	230/60/50	3.6/4.0	125/52c	50 / 22.7	H 9.25" (235mm) x W 10.28" (261mm) x D 24.28" (617mm)



**Conditioned
Enclosure Air Flow**

**Ambient
Air Flow**

ICEqube

Cooling Solutions

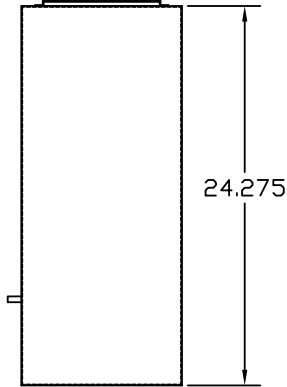
Top Mount Slim

2,000 & 2,500 TXS BTUH - 120 & 230 VAC
Air Conditioners

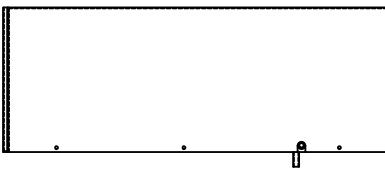
Specification Drawings

Drawings are for illustration purposes of 120/230V units only. Data is subject to change.

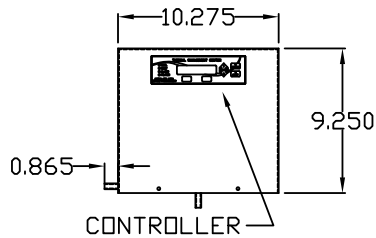
IQ2000TXS
IQ2500TXS
TOP VIEW



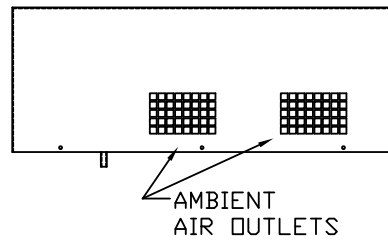
IQ2000TXS
IQ2500TXS
LEFT SIDE



IQ2000TXS
IQ2500TXS
FRONT VIEW



IQ2000TXS
IQ2500TXS
RIGHT SIDE



IQ2000TXS
IQ2500TXS
REAR VIEW

